

Parts List

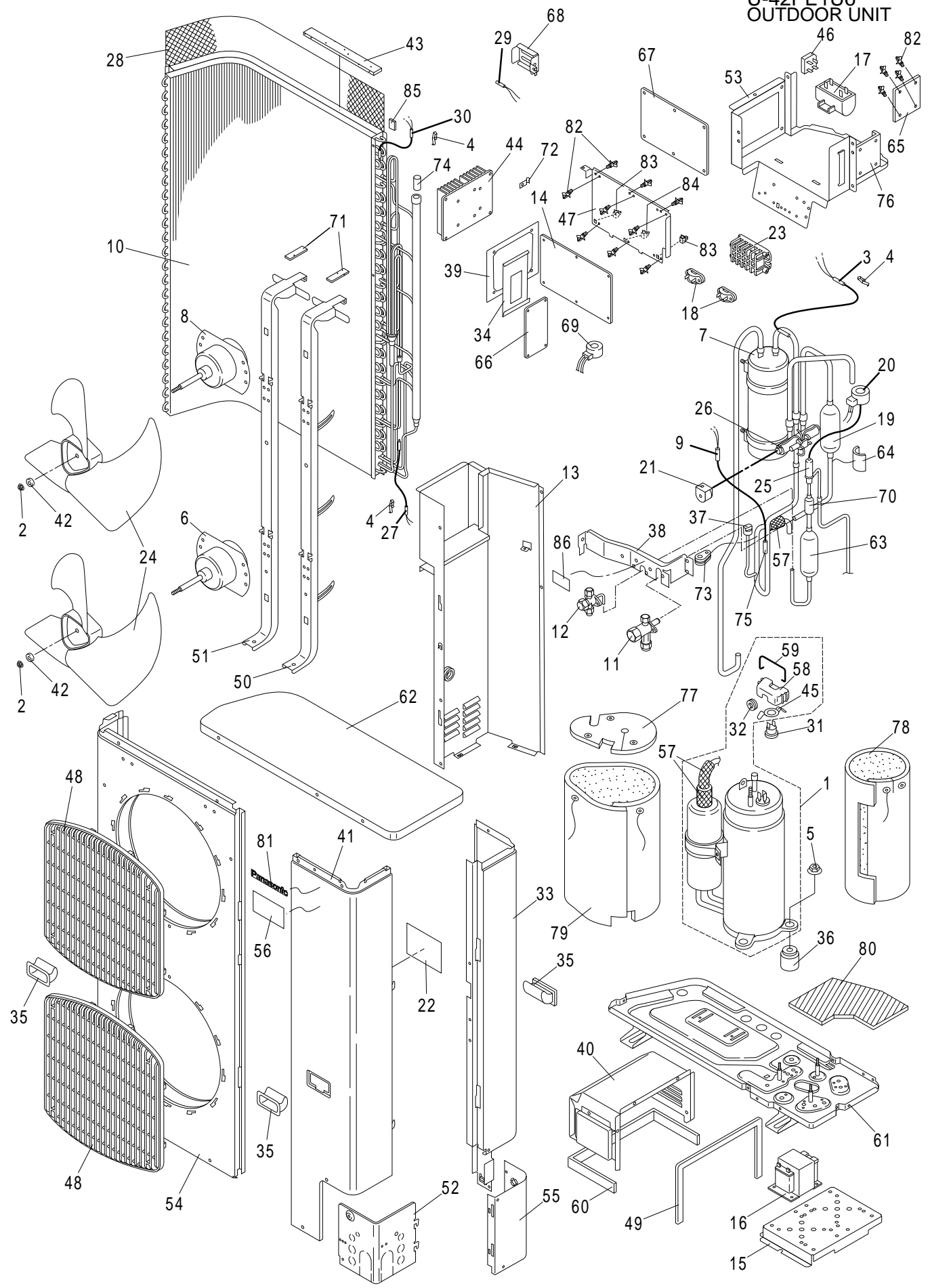
Panasonic

File No.

Air Conditioner

REFERENCE No.PL 834558

U-42PE1U6 OUTDOOR UNIT



ATTENTION!

To ensure correct parts supply, please let us know the following,

Part No. when you make service parts order:

1.Part No. 2.Description 3.Q'ty 4.Volts-Hz-Ph 5.Product Mode No.

U-42PE1U6
OUTDOOR UNIT

| KeyNo. | Part No. | Description | Model Number | Q'ty | Reference No. |
|--------|---------------|--------------------------|------------------|------|---------------|
| * 1 | CV 6231843188 | Compressor Ass'y(INV) | C-9RVN273H0W | 1 | 8540452530100 |
| 2 | CV 6380126705 | Domed Cap Nuts | | 2 | 3927506010 |
| * 3 | CV 6231664158 | Thermistor(TS) | | 1 | 1FA4V2E011900 |
| 4 | CV 6231485876 | Mounting Thermostat | | 3 | 8522530322401 |
| 5 | CV 6230296497 | Nut Special Ass'y | | 3 | 8510239510201 |
| * 6 | CV 6231915717 | Fan Motor | DAJ12-95B61A-CR | 1 | 1FA4M4A012000 |
| 7 | CV 6233113593 | Accumulator Ass'y | | 1 | 8540451753101 |
| * 8 | CV 6231916073 | Fan Motor | DAJ12-95B61B-CR | 1 | 1FA4M4A012100 |
| * 9 | CV 6231664141 | Thermistor(TD) | DTNC583G3UTKS236 | 1 | 1FA4V2E012000 |
| * 10 | CV 6231812382 | Heat Exch Ass'y | | 1 | 8540412449200 |
| 11 | CV 6231811965 | Valve Ass'y 5/8 in. | | 1 | 8540450628500 |
| 12 | CV 6231811958 | Valve Ass'y 3/8 in. | | 1 | 8540450432300 |
| 13 | CV 6231916080 | Partition Plate Ass'y | | 1 | 85402516322H2 |
| * 14 | CV 6231921909 | Controller Ass'y | CR-CH4872R | 1 | 8549953605286 |
| 15 | CV 6231811927 | Mounting Plate | | 1 | 8542236196301 |
| * 16 | CV 6231709729 | Reactor | R202AB | 1 | 1FA4L5C004600 |
| * 17 | CV 6231527347 | Fixed Capacitor | RU23B606R2398X | 1 | 1FA4C1A009400 |
| 18 | CV 6231407595 | Clip Wire | | 2 | 8522530416700 |
| 19 | CV 6231849579 | Muffler | | 1 | 8542451918400 |
| * 20 | CV 6231715874 | Magnetic Coil(MOV) | UKV-U013E | 1 | 1FA4L8A019700 |
| * 21 | CV 6231915779 | Magnetic Coil Ass'y(20S) | STF-01AQ503UA1 | 1 | 8FA0525117600 |
| 22 | CV 6231916097 | Elec. Wiring Diagram | | 1 | 8FA2525771900 |
| * 23 | CV 6233027265 | Terminal Base | HP-T3041-E2C6-L2 | 1 | 1FA4J3A030000 |
| 24 | CV 6231736893 | Propeller Fan Ass'y | | 2 | 8542253910610 |
| * 25 | CV 6231704144 | Solenoid Control Valve | UKV-25D | 1 | 8542454814900 |
| * 26 | CV 6231916103 | Reversing Valve | STF-04U1G | 1 | 8542450819100 |
| * 27 | CV 6231812603 | Thermistor(C1) | DTN-C532G3H-TKS2 | 1 | 1FA4V2E030800 |
| 28 | CV 6231104517 | Guard | | 1 | 8542111316700 |
| * 29 | CV 6231664233 | Thermistor(TO) | DTNC532G3HTKS238 | 1 | 1FA4V2E011600 |
| * 30 | CV 6231664165 | Thermistor(C2) | DTNC532G3HTKS233 | 1 | 1FA4V2E011800 |
| * 31 | CV 6231915793 | Thermostat(OLR) | CS-7L110 | 1 | 4233960062 |
| 32 | CV 6231695190 | Eyelet Rubber Lead Wire | | 1 | 8012530412600 |
| 33 | CV 6231916110 | Rear Panel | | 1 | 85421103367H2 |
| 34 | CV 6231915847 | Sheet | | 1 | 1FA4G1A008900 |
| 35 | CV 6231812115 | Knob | | 3 | 85421311131H1 |
| 36 | CV 6231450577 | Cushion Rubber | | 3 | 8192692010700 |
| * 37 | CV 6231915830 | Switch Ass'y(63PH) | ACB-4UB3002W | 1 | 8FA0525703700 |
| 38 | CV 6231812092 | Support valve | | 1 | 8542412932501 |
| 39 | CV 6231915823 | Sheet | | 1 | 1FA4G1A008800 |
| 40 | CV 6231812078 | Mounting Plate Ass'y | | 1 | 8540232368701 |

NOTE: Metal and plastic parts will be supplied basically with necessary heat insulation pads or packing. Each key number with an asterisk (*) means the recommended service parts.

ATTENTION!

To ensure correct parts supply, please let us know the following,

Part No. when you make service parts order:

1.Part No. 2.Description 3.Q'ty 4.Volts-Hz-Ph 5.Product Mode No.

U-42PE1U6
OUTDOOR UNIT

| KeyNo. | Part No. | Description | Model Number | Q'ty | Reference No. |
|--------|---------------|-----------------------------|--------------|------|---------------|
| 41 | CV 6233190310 | Front Panel | | 1 | 85421116278H4 |
| 42 | CV 6230954960 | Washer Special | | 2 | 8542135513300 |
| 43 | CV 6380194452 | Packing | | 1 | 8542236651900 |
| 44 | CV 6231915885 | Cooler | | 1 | 8542532519301 |
| 45 | CV 6260400222 | Plate Protector | | 1 | 8012530212500 |
| * 46 | CV 4070037003 | Diode | DBA250G | 1 | DDDBA250G---N |
| 47 | CV 6231812023 | Elec. Component Box | | 1 | 8542530625901 |
| 48 | CV 6231915861 | Guard | | 2 | 8542111321912 |
| 49 | CV 6231921947 | Packing | | 1 | 8542236671710 |
| 50 | CV 6231812498 | Base Ass'y, Fan Motor | | 1 | 8540250721401 |
| 51 | CV 6231812481 | Support Fan Motor | | 1 | 8542251632501 |
| 52 | CV 6233135168 | Cover Plate | | 1 | 8542234287423 |
| 53 | CV 6231812016 | Elec. Component Box Ass'y | | 1 | 8540531101601 |
| 54 | CV 6233190327 | Front Panel | | 1 | 8542110199713 |
| 55 | CV 6233135175 | Cover Plate | | 1 | 8542113343223 |
| 56 | CV 6233189857 | Badge | | 1 | 8542135433500 |
| 57 | CV 6230529359 | Vibration Insulation | | 3 | 8522247515400 |
| 58 | CV 6260400826 | Cap Terminal Cover | | 1 | 8012619510700 |
| 59 | CV 6260400512 | Clip | | 1 | 8012534010500 |
| 60 | CV 6231921930 | Packing | | 1 | 8542236672310 |
| 61 | CV 6233190334 | Bottom Plate Ass'y | | 1 | 8540220458903 |
| 62 | CV 6231915984 | Top Panel | | 1 | 85421112394H3 |
| 63 | CV 6231812511 | Muffler | | 1 | 8542451918200 |
| 64 | CV 6380055487 | Mounting Rubber, Tube | | 1 | 8542431526800 |
| * 65 | CV 6231921961 | P.C.B. Ass'y | CR-FAN4872R | 1 | 8549953605290 |
| * 66 | CV 6231921954 | P.C.B. Ass'y | HIC-CH4872R | 1 | 8549953605289 |
| * 67 | CV 6231921923 | P.C.B. Ass'y | FIL-CH4872R | 1 | 8549953605287 |
| 68 | CV 6231915960 | Mounting Plate | | 1 | 8542530922411 |
| * 69 | CV 6231916011 | Transformer Ass'y | CL-9 | 1 | 8FA0526304400 |
| 70 | CV 6231018968 | Strainer Ass'y | | 1 | 8540452213100 |
| 71 | CV 6231885447 | Packing | | 2 | 8542236670300 |
| 72 | CV 6231916004 | Mounting Plate | | 1 | 8542236206801 |
| 73 | CV 6231916196 | Protection Rubber | | 1 | 8542235618400 |
| 74 | CV 6231708364 | Insulation Special | | 1 | 8542241133100 |
| 75 | CV 6231250184 | Mounting Thermostat | | 1 | 8522530317700 |
| 76 | CV 6231812412 | Elec. Component Box | | 1 | 8542530626001 |
| 77 | CV 6231812436 | Sound Insulation Compressor | | 1 | 8542242235700 |
| 78 | CV 6231812528 | Sound Insulation Compressor | | 1 | 8542242235800 |
| 79 | CV 6231812504 | Sound Insulation Compressor | | 1 | 8542242235900 |
| 80 | CV 6231695213 | Sound Insulation Compressor | | 1 | 8542242226500 |

NOTE: Metal and plastic parts will be supplied basically with necessary heat insulation pads or packing. Each key number with an asterisk (*) means the recommended service parts.

ATTENTION!

To ensure correct parts supply, please let us know the following,

Part No. when you make service parts order:

1.Part No. 2.Description 3.Q'ty 4.Volts-Hz-Ph 5.Product Mode No.

U-42PE1U6
OUTDOOR UNIT

| KeyNo. | Part No. | Description | Model Number | Q'ty | Reference No. |
|--------|---------------|---------------------------|--------------|------|---------------|
| 81 | CV 6233162478 | Badge | | 1 | 8542135433001 |
| 82 | CV 6230971677 | Spacer | SPLSN-6 | 13 | 8512536603800 |
| 83 | CV 6230964068 | Spacer | #616 | 2 | 8512536603300 |
| 84 | CV 6231927949 | Spacer | 2196 | 1 | 8512536607600 |
| 85 | CV 6233190341 | Packing | | 1 | 8542237023200 |
| 86 | CV 6233193526 | Caution Label | | 1 | 8546575950500 |
| | CV 6233186900 | Operation Manual | | 1 | 8546460916302 |
| | CV 6233186979 | Installation Instructions | | 1 | 8546436953102 |

NOTE: Metal and plastic parts will be supplied basically with necessary heat insulation pads or packing. Each key number with an asterisk (*) means the recommended service parts.