

## Split System Submittal Data

System: **E12RB4UW** Indoor: **CS-E12RB4UW** Outdoor: **CU-E12RB4U**

Job Name: \_\_\_\_\_  
 Location: \_\_\_\_\_  
 Engineer: \_\_\_\_\_  
 Submitted to: \_\_\_\_\_  
 Submitted by: \_\_\_\_\_  
 Reference: \_\_\_\_\_

Approval: \_\_\_\_\_  
 Date: \_\_\_\_\_  
 Construction: \_\_\_\_\_  
 Unit#: \_\_\_\_\_  
 Drawing#: \_\_\_\_\_

General Data	
<b>Power (V/P/Hz)</b>	<b>230/208/1/60</b>
Circuit Ampacity (A)	15
Fuse Size, Max.(A)	15
<b>Compressor</b>	DC Twin Rotary (Inverter)
No. Used	1
Motor Type (No. of poles)	DC Brushless (4 poles)
Output Power	700w
Outdoor Unit	
Fan Type	Propeller
No. Speeds	Variable speed
Type Drive	Direct / DC Brushless Motor
No. Poles (RPM)	8-830
No. Motors (W)	1-40
CFM (Hi speed)	1095
<b>Coil Type</b>	Aluminum Fin and Copper Pipe
Fin Type - Pipe Type	Slit Fin
Rows x stage x F.P.I.	2 x 24 x 17
Indoor Unit	
Fan Type	Backward Fan
Motor Type, No. of Poles	DC Brushless, 8 poles
No. Speeds	Variable speed
RPM (Cool / Heat), High	600/650
No. Motors (W)	1-47
CFM (Qlo/Lo/Me/Hi/SHi) Cooling	240/260/310/370/400
CFM (Qlo/Lo/Me/Hi/SHi) Heating	270/300/350/390/410
Operating Sound-Hi/Me/Lo/ dB-A	38/28/25
<b>Coil Type</b>	Aluminum Plate Fin & Copper Tube
Fin Type - Pipe Type	Coated Slit Plate - Inner Rifled
Row x stage x FPI	2 x 10 x 18
Drain Connection Size (in.)	3/4"
<b>Refrigerant</b>	R410A
Oz - R410a (outdoor unit)	34.6
Refrigerant Control	Electronic Expansion Valve
Refrigerant Tubing Connections	Flare
Line Length, Max (ft.)	65.6
Elevation Difference, Max (ft.)	49.2
Line Size (in. O.D. Discharge)	1/4"
Line Size (in. O.D. Suction)	1/2"
Pre-charge, tubing length at shipment	24.6'



Dimensions (HxWxD)	
Indoor Unit (Crated) (in.)	13-3/8 x 27-3/16 x 27-3/16
Indoor Unit (Uncrated) (in.)	10-1/4 x 22-21/32 x 22-21/32
Outdoor Unit (Crated) (in.)	23-15/32 x 36-9/32 x 16-13/32
Outdoor Unit (Uncrated) (in.)	21-9/32 x 30-23/32 x 11-13/32
Panel (Crated)	3-23/32 x 29-5/16 x 28-29/32
Panel (Uncrated)	2-1/32 x 27-9/16 x 27-9/16
Weight (lbs.)	
(Indoor) Net	40lb
(Outdoor) Net	82lb
(Panel) Net	6lb

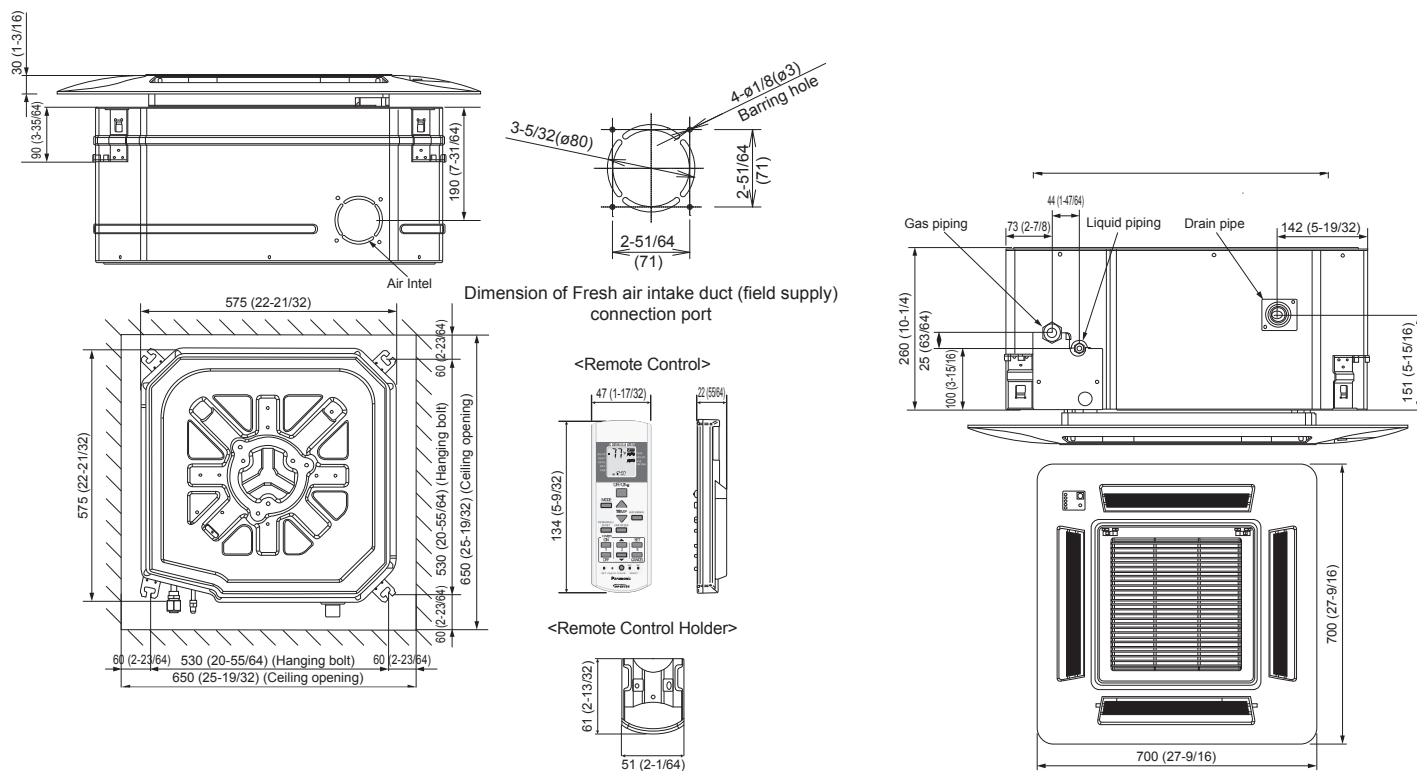
Performance Data @ ARI Standard Conditions	
<b>Cooling</b>	
Total Capacity (BTU/H)	11,900 (4,100-13,300)
Sensible Capacity (BTU/H)	11,170
Latent Capacity (BTU/H)	730
SEER	18
Dehumidification (Pints/H)	4
Amps (A)	5.2
Power Inputs (W)	1150
Outdoor Sound Rating (dB-A)	66
<b>Heating</b>	
Total Capacity (BTU/H)	13,600 (4,100-16,300)
HSPF	9
Amps (A)	6.1
Power Inputs (W)	1360
Outdoor Sounds Rating (dB-A)	66

Features	
Controls	Microprocessor
Remote Controller	LCD Wireless Type included as standard
Wired Remote Controller	CZ-RD52CU
Temperature Control	IC Thermistor
Timer	Single Event Daily ON/OFF TIMER
Quiet mode	Included
High Power mode	Included
Air Louver, Horizontal	Manual
Air Louver, Vertical	Automatic, Sweep, Step
Power Failure Automatic Restart	Built-In
Heating/Cooling Automatic Changeover	Built-In
Self-Diagnosis	Built-In
Air Filter	Washable, One-touch

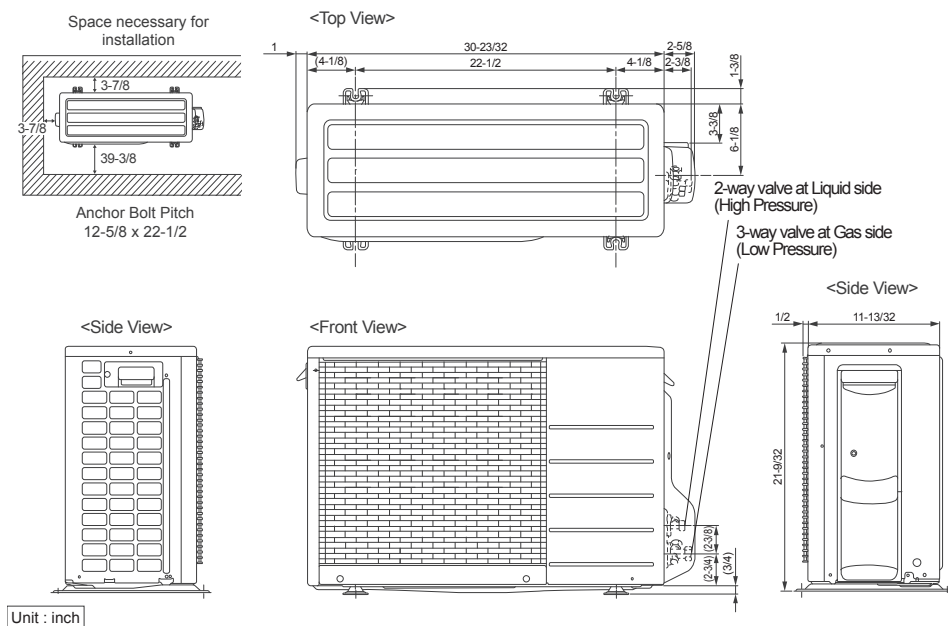
Operating Range	Indoor Air Intake Temp	Outdoor Air Intake Temp
Cooling (Max)	89.6F DB/73.4F WB	114.8F DB
Cooling (Min)	60.8F DB/51.8F WB	0F DB
Heating (Max)	86.0F DB	75.2F DB
Heating (Min)	60.8DB	5F DB



# Indoor Dimensions



# Outdoor Dimensions



Panasonic Canada Inc.  
5770 Ambler Drive  
Mississauga, Ontario L4W 2T3  
na.panasonic.com/ca/HVAC