

## Mult System Outdoor Submittal Data

### CU-2E18SBU-5

#### Multi System Outdoor Unit

Job Name: \_\_\_\_\_  
 Location: \_\_\_\_\_  
 Engineer: \_\_\_\_\_  
 Submitted to: \_\_\_\_\_  
 Submitted by: \_\_\_\_\_  
 Reference: \_\_\_\_\_

Approval: \_\_\_\_\_  
 Date: \_\_\_\_\_  
 Construction: \_\_\_\_\_  
 Unit#: \_\_\_\_\_  
 Drawing#: \_\_\_\_\_

Rated Conditions	
Indoor	Outdoor
80°F DB / 67°F WB	95°F DB / 75°F WB
70°F DB / 60°F WB	47°F DB / 43°F WB
70°F DB / 60°F WB	17°F DB / 15°F WB

General Data	
<b>Power (V/P/Hz)</b>	<b>208/230/1/60</b>
Circuit Ampacity (A)	13.6
Fuse Size, Max.(A)	20
<b>Compressor</b>	DC Twin Rotary (Inverter Driven)
No. Used	1
Output Power (W)	1.30K

Outdoor Unit	
Fan Type	Propeller
Motor Type	DC Motor [8 poles]
Output Power (W)	60
Airflow CFM	1,447
Coil Type	Aluminum (Blue Coated)
Fin Type - Pipe Type	Corrugated Fin
Coil Type	Aluminum Fin & Copper Pipe
Fin Type - Pipe Type	Corrugated Fin
Rows - F.P.I.	2 - 19
Tube Size (in)	3/8"
<b>Refrigerant</b>	<b>R410A</b>
R410a Pre Charge oz	78.7 oz
Refrigerant Control	Electronic Expansion Valve
Refrigerant Tubing Connections	Flare
Line Length, Max (ft.)	164'
Line Height Difference, Max (ft.)	49.2'
Line Size (in. O.D. Discharge)	1/4" x 2
Line Size (in. O.D. Suction)	3/8" x 2
Pre-charge, tube length @ shipment	65.2'
<b>Dimensions (HxWxD)</b>	
Outdoor Unit (Uncrated) (in.)	31-5/16 x 34-15/32 x 12-5/8
<b>Weight (lbs.)</b>	
[Outdoor] Net	157 lbs

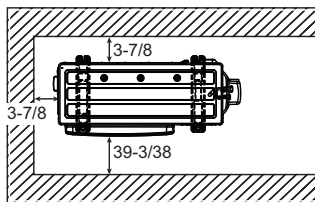


Performance Data @ AHRI Standard Conditions (208/230V)	
<b>Cooling</b>	
Total Capacity (BTU/H)	16,700 (7,200 - 20,000)
Sensible Capacity (BTU/H)	16,020
Latent Capacity (BTU/H)	1,980
SEER	19.0
Amps (A)	6.6 - 6.0
Max. Amps (A)	13.6
Power Inputs (KW)	1.33
Max. Inputs (W)	N/A
Outdoor Sound Rating (dB-A) High	48
<b>Heating</b>	
High Heat @ 47F	
Low Heat @ 17F	
Total Capacity (BTU/H)	20,200 (7,200 - 24,600)
HSPF	8.8
Amps (A)	8.5-7.8
Power Inputs (KW)	1.75
Outdoor Sound Rating (dB-A)	49

Operating Range	
<b>Cooling</b>	
Max	114.8F DB/78.8F WB
Min	14.0F DB/-/-WB
<b>Heating</b>	
Max	75.2F DB/64F WB
Min	5F DB/3.2F WB

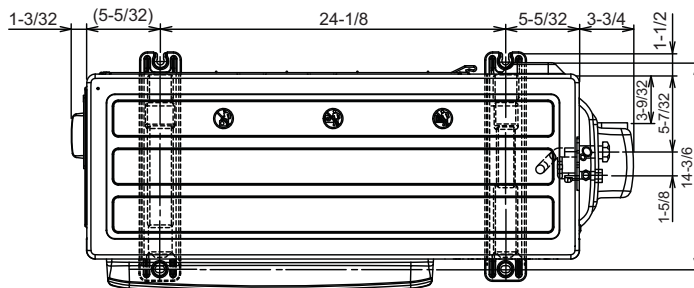
# Outdoor Dimensions

Space necessary for installation

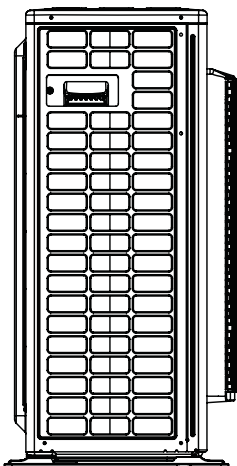


Anchor Bolt Pitch  
14-13/64 x 24-1/8

<Top View>

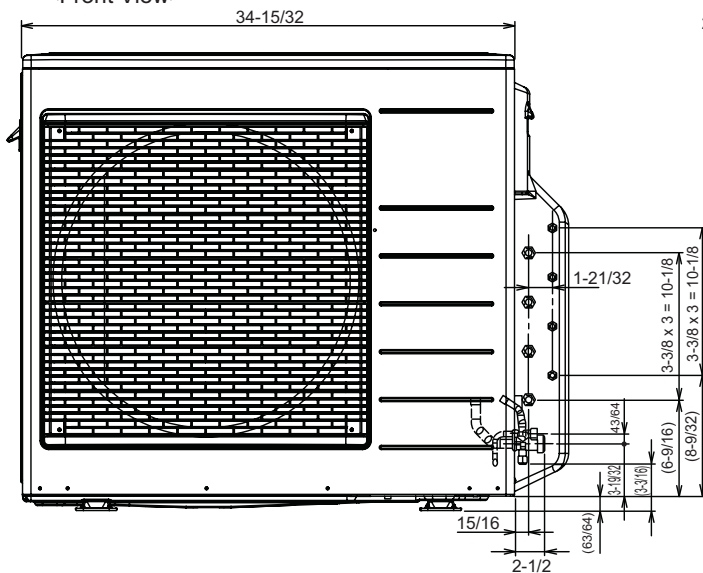


<Side View>

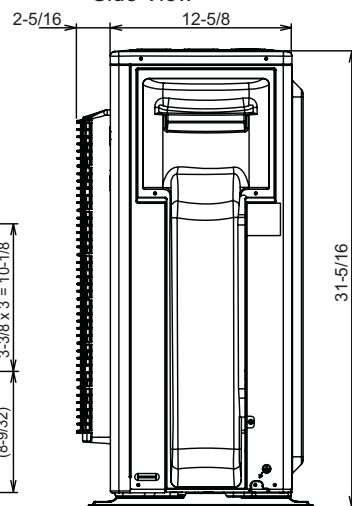


Unit: inch

<Front View>



<Side View>



Panasonic North America  
2 Riverfront Plaza  
Newark, NJ 07102  
us.panasonic.com/hvac

Panasonic Canada Inc.  
5770 Ambler Drive  
Mississauga, ON, L4W 2T3  
na.panasonic.com/ca/hvac