

Split System Submittal Data

System: **E18RKUA** Indoor: **CS-E18RKUAW** Outdoor: **CU-E18RKUA**

Job Name: _____
 Location: _____
 Engineer: _____
 Submitted to: _____
 Submitted by: _____
 Reference: _____

Approval: _____
 Date: _____
 Construction: _____
 Unit#: _____
 Drawing#: _____

General Data	
Power (V/P/Hz)	230/208/1/60
Circuit Ampacity (A)	15
Fuse Size, Max.(A)	20
Compressor	DC Twin Rotary (Inverter)
No. Used	1
Motor Type (No. of poles)	DC Brushless (4 poles)
Output Power	1700
Outdoor Unit	
Fan Type	Propeller
No. Speeds	Variable speed
Type Drive	Direct / DC Brushless Motor
No. Poles (RPM)	8-700
No. Motors (W)	1-60
CFM (Hi speed)	1925
Coil Type	Aluminum Fin and Copper Pipe
Fin Type - Pipe Type	Coated Corrugated fin - Inner Rifled
Rows x stage x F.P.I.	2 x 36 x 19
Size (W x H x L)	1-13/32 x 29-25/32 x 34-7/32
Tube Size (in.)	9/32
Indoor Unit	
Fan Type	Cross Flow
Motor Type, No. of Poles	DC Brushless, 8 poles
No. Speeds	Variable speed
RPM (Cool / Heat), High	1,480 / 1,500
No. Motors (W)	1-94.8
CFM (Qlo/Lo/Me/Hi/SHi) Cooling	469/513/592/670/720
CFM (Qlo/Lo/Me/Hi/SHi) Heating	508/553/622/695/740
Operating Sound-Hi/Me/Lo/ dB-A (Cool)	47/39/36
Operating Sound-Hi/Me/Lo/ dB-A (Heat)	46/39/36
Coil Type	Aluminum Plate Fin & Copper Tube
Fin Type - Pipe Type	Coated Slit Plate - Inner Rifled
Row x stage x FPI	2 x 15 x 21
Size	1 x 12-13/32 x 31-7/8
Tube Size (in.)	9/32"
Drain Connection Size (in.)	3/4"
Refrigerant	R410A
Oz. - R410a (outdoor unit)	56.5
Refrigerant Control	Electronic Expansion Valve
Refrigerant Tubing Connections	Flare



Line Length, Max (ft.)	100.0
Elevation Difference, Max (ft.)	49.2
Line Size (in. O.D. Discharge)	1/4"
Line Size (in. O.D. Suction)	1/2"
Pre-charge, tubing length at shipment	32.8'
Dimensions (HxWxD)	
Indoor Unit (Crated) (in.)	14-17//32 x 45-11/16 x 11-9/32
Indoor Unit (Uncrated) (in.)	11-7/16 x 42-5/32 x 9-15/32
Outdoor Unit (Crated) (in.)	34-25/32 x 41-5/16 x 19-1/8
Outdoor Unit (Uncrated) (in.)	31-5/16 x 34-15/32 x 12-5/8
Weight (lbs.)	
(Indoor) Net	26
(Indoor) Shipping	31
(Outdoor) Net	132
(Outdoor) Shipping	146

Performance Data @ ARI Standard Conditions	
Cooling	
Total Capacity (BTU/H)	17,200 (5,800-19,800)
Sensible Capacity (BTU/H)	15,990
Latent Capacity (BTU/H)	1210
SEER	19.5
Dehumidification (Pints/H)	3.0
Amps (A)	6.3
Power Inputs (W)	1300
Outdoor Sound Rating (dB-A)	49
Heating	
Total Capacity (BTU/H)	21,600 (5,800-22,00)
HSPF	10.0
Amps (A)	8.3
Power Inputs (W)	1750
Outdoor Sounds Rating (dB-A)	51

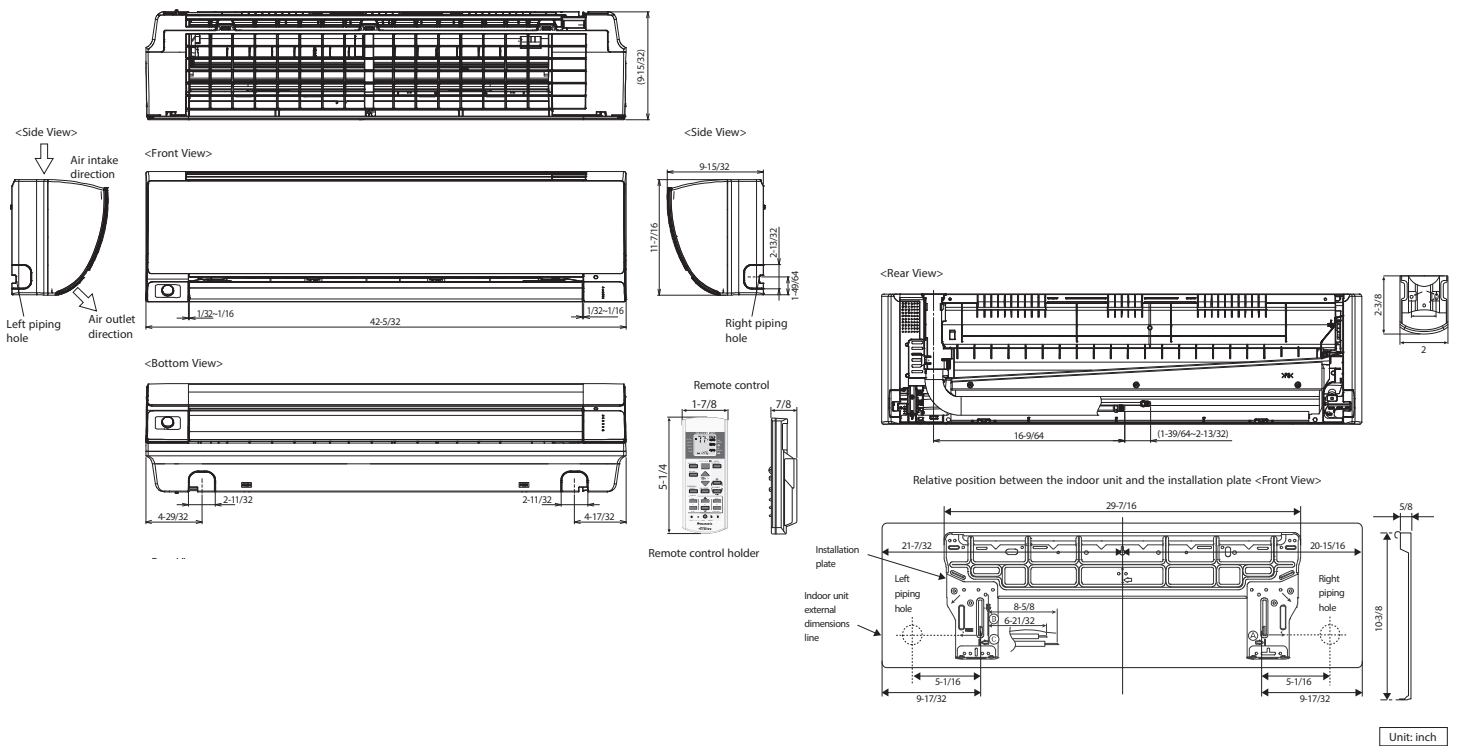
Features	
Controls	Microprocessor
Remote Controller	LCD Wireless Type included as standard
Wired Remote Controller	Optional CZ-RD516C-1
Temperature Control	IC Thermistor
Timer	Single Event Daily ON/OFF TIMER
Quiet mode	Included
High Power mode	Included
Air Louver, Horizontal	Automatic, Sweep, Step
Air Louver, Vertical	Automatic, Sweep, Step
Power Failure Automatic Restart	Built-In
Heating/Cooling Automatic Changeover	Built-In
Self-Diagnosis	Built-In
Air Filter	Washable, One-touch

Operating Range	Indoor Air Intake Temp	Outdoor Air Intake Temp
Cooling (Max)	89.6F DB/73.4F WB	114.8F DB
Cooling (Min)	60.8F DB/51.8F WB	0F DB
Heating (Max)	86.0F DB	75.2F DB/64.4F WB
Heating (Min)	60.8DB	-4.0F DB/-5.8F WB

Panasonic

Panasonic Canada Inc.
 5770 Ambler Drive
 Mississauga, Ontario L4W 2T3
na.panasonic.com/ca/HVAC

Indoor Dimensions



Outdoor Dimensions

