

Split System Submittal Data

System: **RE18SKUA** Indoor: **CS-RE18SKUA** Outdoor: **CU-RE18SKUA**
 Single Zone Heat Pump Wall Mounted

Job Name: _____
 Location: _____
 Engineer: _____
 Submitted to: _____
 Submitted by: _____
 Reference: _____

Approval: _____
 Date: _____
 Construction: _____
 Unit#: _____
 Drawing#: _____

| General Data | |
|--------------------------------------|---------------------------|
| Power (V/P/Hz) | 230/208/1/60 |
| Circuit Ampacity (A) | 15 |
| Fuse Size, Max. (A) | 20 |
| Compressor | |
| | DC Twin Rotary (Inverter) |
| No. Used | 1 |
| Motor Type (No. of poles) | DC Brushless (4 poles) |
| Output Power (W) | 900 |
| Outdoor Unit | |
| Fan Type | Propeller |
| No. Speeds | Variable speed |
| Type Drive | Direct / DC Motor |
| No. Poles (RPM) | 8-830 |
| No. Motors (W) | 1-40 |
| CFM (Hi speed) | 1,485 |
| Coil Type | |
| | Aluminum Fin Blue Coated |
| Fin Type - Pipe Type | Corrugated Fin |
| Rows x stage x F.P.I. | 2 x 15 x 21 |
| Size (W x H x L) | 1-13/32 x 25-5/8 x 33-5/8 |
| Tube Size (in.) | 9/32 |
| Indoor Unit | |
| Fan Type | Cross Flow |
| Motor Type, No. of Poles | DC Brushless 8 poles |
| No. Speeds | Variable speed |
| RPM (Cool / Heat), High | 1,210/1,340 |
| No. Motors (W) | 1-47 |
| CFM (Qlo/Lo/Me/Hi/SHi) Cooling | 450/498/584/670/725 |
| CFM (Qlo/Lo/Me/Hi/SHi) Heating | 488/537/614/695/745 |
| Operating Sound-H/L/QLo/ dB-A (Cool) | 48/39/36 |
| Operating Sound-H/L/QLo/ dB-A (Heat) | 48/39/36 |
| Coil Type | |
| | Aluminum (Pre Coat) |
| Fin Type - Pipe Type | Slit Fin |
| Row x stage x FPI | 2 x 15 x 21 |
| Size | 1 x 12-13/32 x 31-7/8 |
| Tube Size (in.) | 9/32" |
| Drain Connection Size (in.) | 5/8" |
| Refrigerant | R410A |
| OZ. - R410a (outdoor unit) | 43.8 |



| | |
|---------------------------------------|-----------------------------|
| Refrigerant Control | Electronic Expansion Valve |
| Refrigerant Tubing Connections | Flare |
| Line Length, Max (ft.) | 65.6 |
| Elevation Difference, Max (ft.) | 49.2 |
| Line Size (in. O.D. Discharge) | 1/4" |
| Line Size (in. O.D. Suction) | 1/2" |
| Pre-charge, tubing length at shipment | 24.6' |
| Dimensions (H x W x D) | |
| Indoor Unit (Uncrated) (in.) | 11-7/16 x 45-5/32 x 9-15/32 |
| Outdoor Unit (Uncrated) (in.) | 27-3/8 x 34-15/32 x 12-5/8 |
| Weight (lbs.) | |
| (Indoor) Net | 26lb |
| (Outdoor) Net | 106lb |

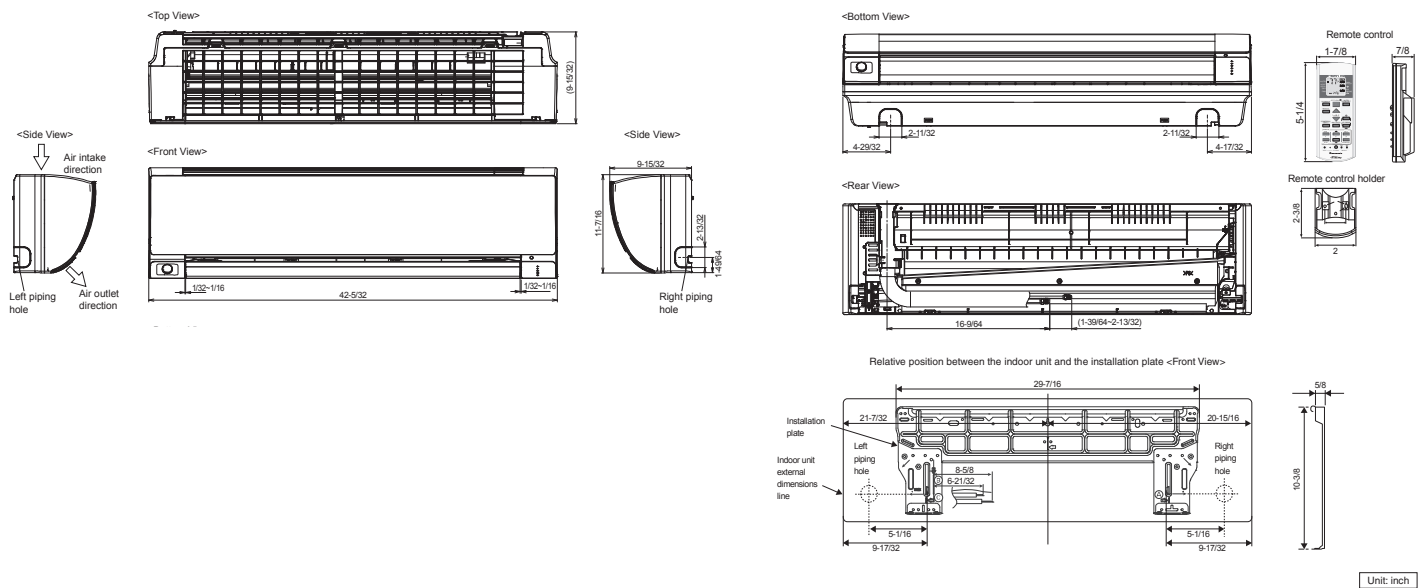
| Performance Data @ ARI Standard Conditions | |
|--|-----------------------|
| High Heating@47° (BTU/H) | 18,000 |
| Low Heating@17° (BTU/H) | 14,500 |
| Cooling | |
| Total Capacity (BTU/H) | 17,200 (5,800-18,000) |
| Sensible Capacity (BTU/H) | 16,340 |
| Latent Capacity (BTU/H) | 860 |
| SEER | 16 |
| Dehumidification (Pints/H) | 2.7 |
| Amps (A) | 6.3 |
| Power Input (W) | 1,400 |
| Outdoor Sound Rating (dB-A) | 53 |
| Heating | |
| Total Capacity (BTU/H) | 18,000 (5,800-20,800) |
| HSPF | 8.5 |
| Amps (A) | 6.2 |
| Power Input (W) | 1,380 |
| Outdoor Sounds Rating (dB-A) | 54 |

| Features | |
|--------------------------------------|--|
| Controls | Microprocessor |
| Remote Controller | LCD Wireless Type included as standard |
| Wired Remote Controller | Not Available |
| Temperature Control | IC Thermistor |
| Timer | Single Event Daily ON/OFF TIMER |
| Quiet mode | Included |
| High Power mode | Included |
| Air Louver, Horizontal | Automatic, Sweep, Step |
| Air Louver, Vertical | Automatic, Sweep, Step |
| Power Failure Automatic Restart | Built-In |
| Heating/Cooling Automatic Changeover | Built-In |
| Self-Diagnosis | Built-In |
| Air Filter | Washable, One-touch |

| Operating Range | Indoor Air Intake Temp | Outdoor Air Intake Temp |
|-----------------|------------------------|-------------------------|
| Cooling (Max) | 89.6F DB/73.4F WB | 114.8F DB |
| Cooling (Min) | 60.8F DB/51.8F WB | 0F DB |
| Heating (Max) | 86.0F DB | 75.2F DB/64.4F WB |
| Heating (Min) | 60.8 DB | -4.0F DB/-2.2F WB |



Indoor Dimensions



Outdoor Dimensions

