



Panasonic

Add 'warmth' to your bathroom with this ventilation fan and heater combo. It's quiet and warms up quickly.

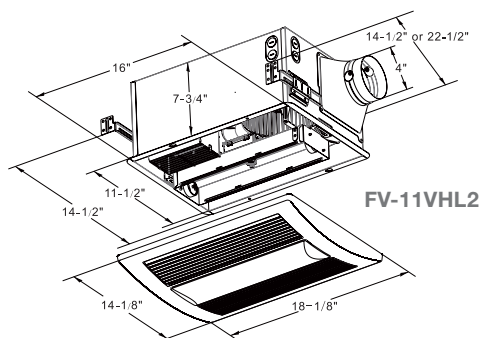
- Fully enclosed condenser motor for long life —rated for 30,000-hours continuous run
- Quick one minute warm-up
- Rustproof paint treatment on galvanized housing
- Built-in damper to prevent back-draft
- Fits in 2 x 8 construction
- Thermal fuse protection on motor and 3-level safety device for heater
- 1400-Watt steel sheathed heater element
- 3-year warranty on parts, 1-year on CFL's
- Minimum 20 Amp dedicated circuit required
- ASHRAE 62.2 and LEED for Homes compliant



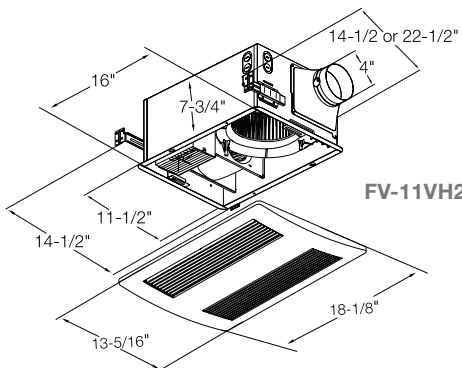
WhisperWarm™
VENTILATION FAN

WhisperWarm Ventilation Fans

We're proud to feature concentrated heat — our grilles are structured in such a way that affords the user a stronger blast of air focused in one area for intensified warmth. This impressive fan/heat configuration is easy-to-install, lightweight and features a small housing. What's more, they're quieter than their predecessors with reduced sone levels. Lastly, we've streamlined them with a cosmetically pleasing look.



FV-11VHL2



FV-11VH2



WhisperWarm includes:
Two 13-Watt GU24 Spiral CFLs/2700 Kelvin/ 84 CRI/910 Lumens each/ENERGY STAR® qualified/10,000 hours rated average life/each lamp equivalent to a 60-Watt incandescent bulb/integral electronic ballast for flicker free operation. Also includes a 4-Watt night-light.

WhisperWarm		FV-11VH2		FV-11VHL2		
Characteristics (HVI Certified Data for 0.1" S.P.)	Static pressure in inches w. g.	0.1	0.25	0.1	0.25	
	Air Volume (CFM)	110	89	110	89	
	Noise (sones)	0.6	1.1	0.7	1.0	
	Power Consumption (Watts)	30.7	30.5	30.6	30.5	
	Energy Efficiency (CFMs/Watt)	3.6	2.9	3.6	2.9	
	Speed (RPM)	778	935	812	956	
	Current (amps)	0.25				
	Power Rating (V/Hz)	120/60				
	Specifications	Motor Type	Condenser			
		Type of Motor Bearing	Ball			
Thermal Fuse Protection		Yes				
Blower Wheel Type		Sirocco				
ENERGY STAR® Qualified		NA				
Duct Diameter (mm/in)		102/4				
Housing Dimensions (LxWxH) (mm/in)		406 x 292 x 197 16 x 11-1/2 x 7-3/4				
Grill Size (mm/in)		460L x 338W 18-1/8L x 13-5/16W	460L x 359W 18-1/8L x 14-1/8W			
Light Specifications	Lamp Watts	NA		2x18W		
	Colour Rendering Index			84		
	Colour Temperature (Kelvin)			3500 Quick Start		
	Rated Average Life (hrs)			10,000		
	Lamp Model #			FDS18E35/4		
Night-Light Specs	Night-Light Watts	4				
Heater	Stainless Steel Sheathed Element	Yes				
	Heating Element (Watts)	1400				
	Blower Fan (CFM)	90				
	Blower Fan (Watts)	25				
Combined	Amps	12.5				
Shipping	Gross Weight (kg/lbs)	9.1 / 20.1		10.3 / 22.7		
Approved Code/ Standard/ Regulation	cUL Tub/Shower Enclosure	No				
	HVI	Yes				
	Mfg in ISO 9001 Certified Facility	Yes				

w.g.=water gauge

WhisperWarm™
VENTILATION FAN

Panasonic

Panasonic Canada Inc.

5770 Ambler Drive, Mississauga, ON L4W 2T3

Phone (800) 669-5165 Fax (905) 238-2414

Email: ventilationfans@ca.panasonic.com

www.panasonic.com



Because its products are subject to continuous improvements, Panasonic reserves the right to modify product design and specifications without notice and without incurring any obligations.

VF-WM-0716E