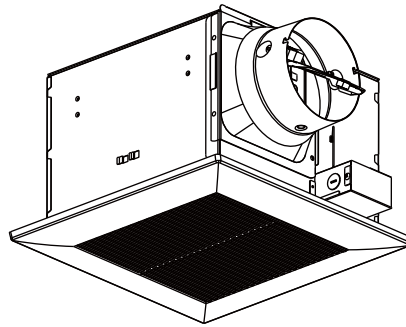


# Service Manual

Ceiling Mount Ventilating Fan  
(North America Market)

FV-40VQ4



## Specifications


Model no.	Air direction	V	Hz	Power consumption (W)	Speed (rpm)	Air deliver at 0.1" WG (cfm)	Weight lb. (kg)
FV-40VQ4	Exhaust	120	60	119	725	380	27.1 (12.3)



## WARNING

This service information is designed for experienced repair technicians only and is not designed for use by the general public. It does not contain warnings or cautions to advise non-technical individuals of potential dangers in attempting to service a product. Products powered by electricity should be serviced or repaired only by experienced professional technicians. Any attempt to service or repair the product or products dealt with in this service information by anyone else could result in serious injury or death.

## IMPORTANT SAFETY NOTICE

There are special components used in this equipment which are important for safety. These parts are marked by  in the Schematic Diagrams, Exploded Views and Replacement Parts List. It is essential that these critical parts should be replaced with manufacturer's specified parts to prevent shock, fire or other hazards. Do not modify the original design without permission of manufacture. We suggest to handle such parts after the static electricity prevention. It is forbidden to touch the PCB parts by bare hands during the repairing process.

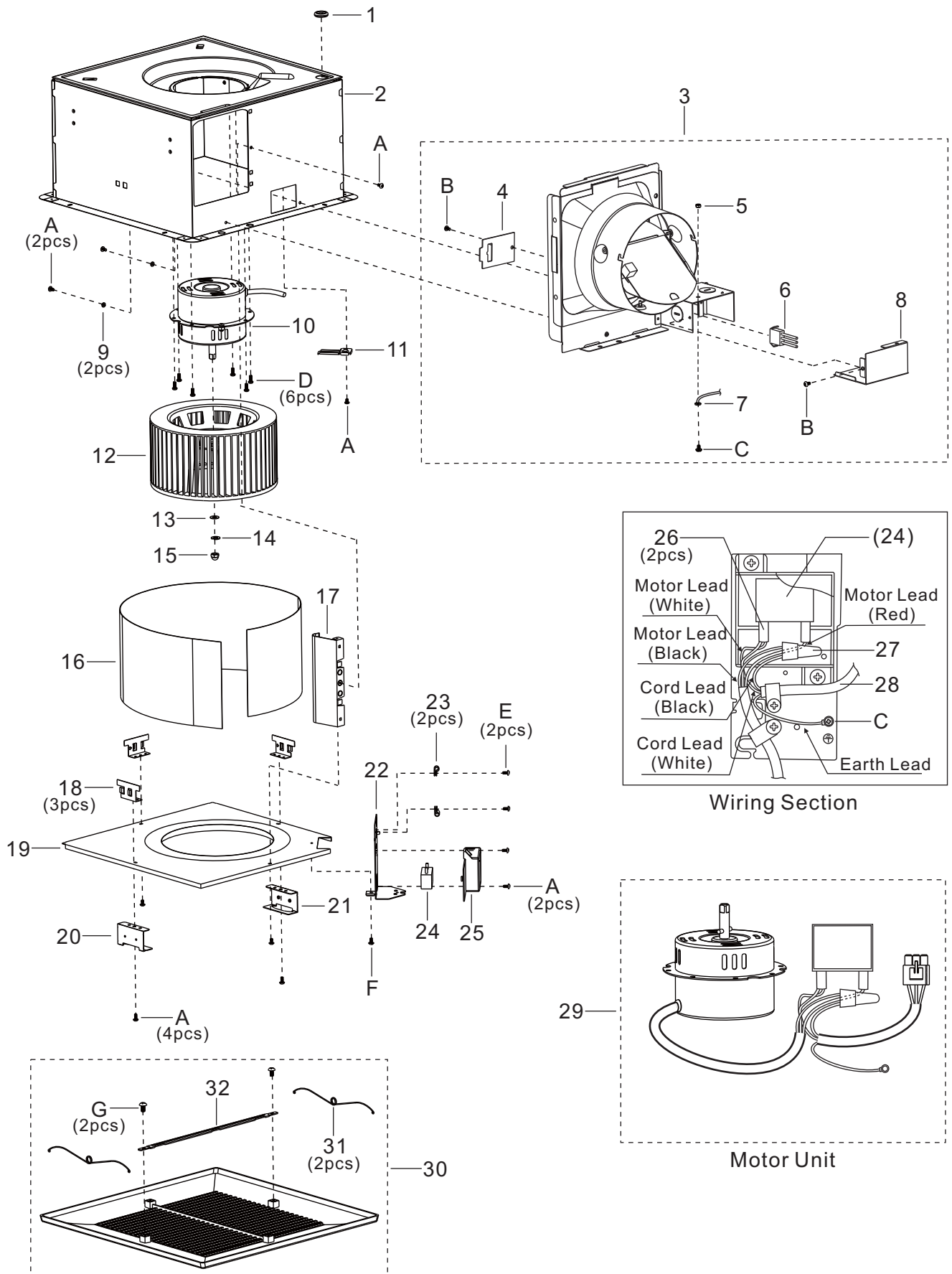
## CONTENTS

	PAGE
1 Parts Identification .....	1~2
2 Wiring Diagram .....	3
3 Parts List .....	4~5

# 1. Parts Identification

FV-40VQ4

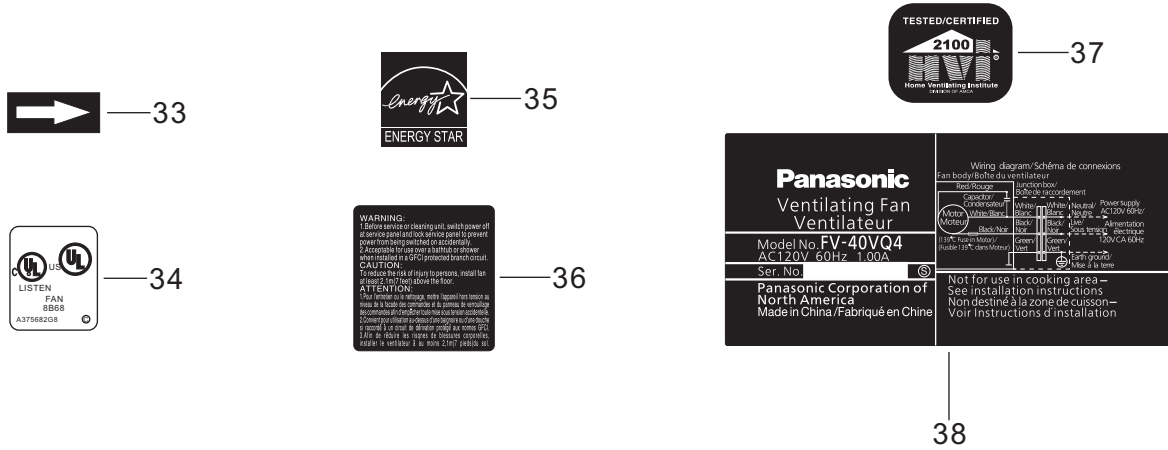
## Main Body Section



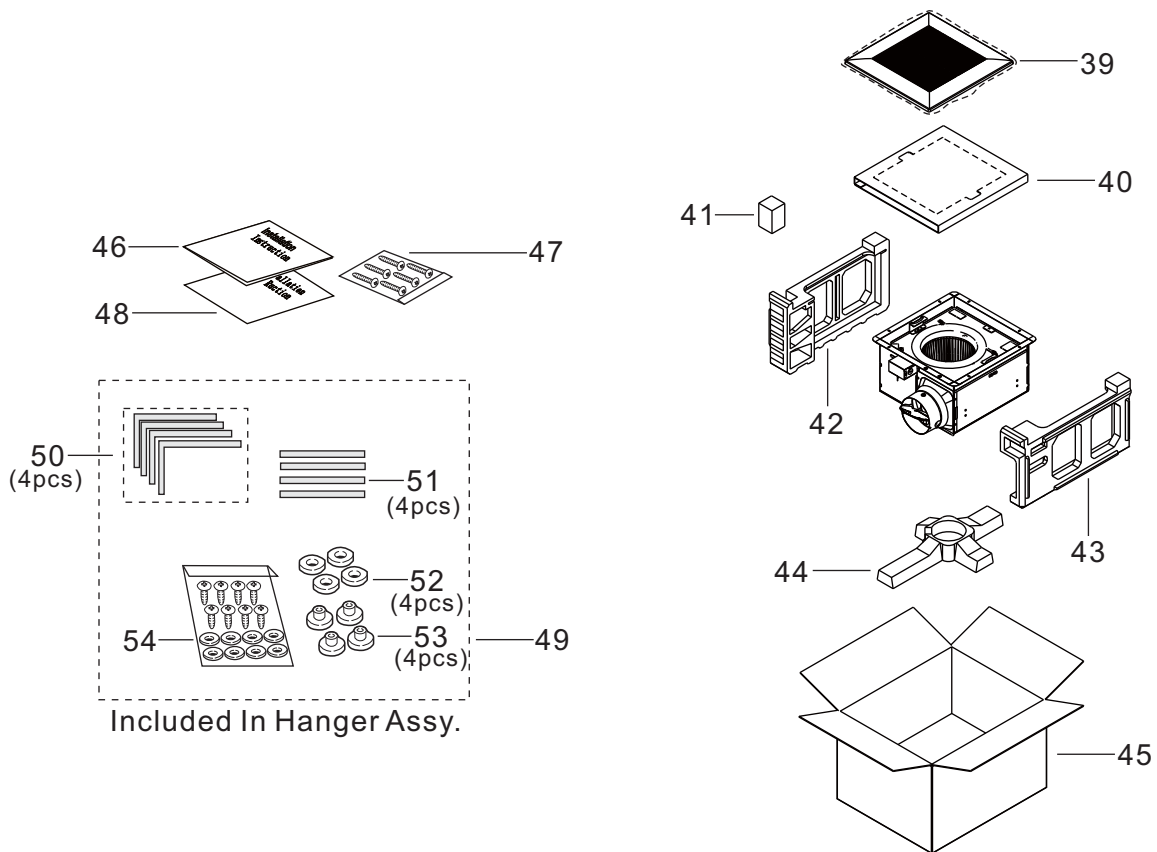
# 1. Parts Identification

FV-40VQ4

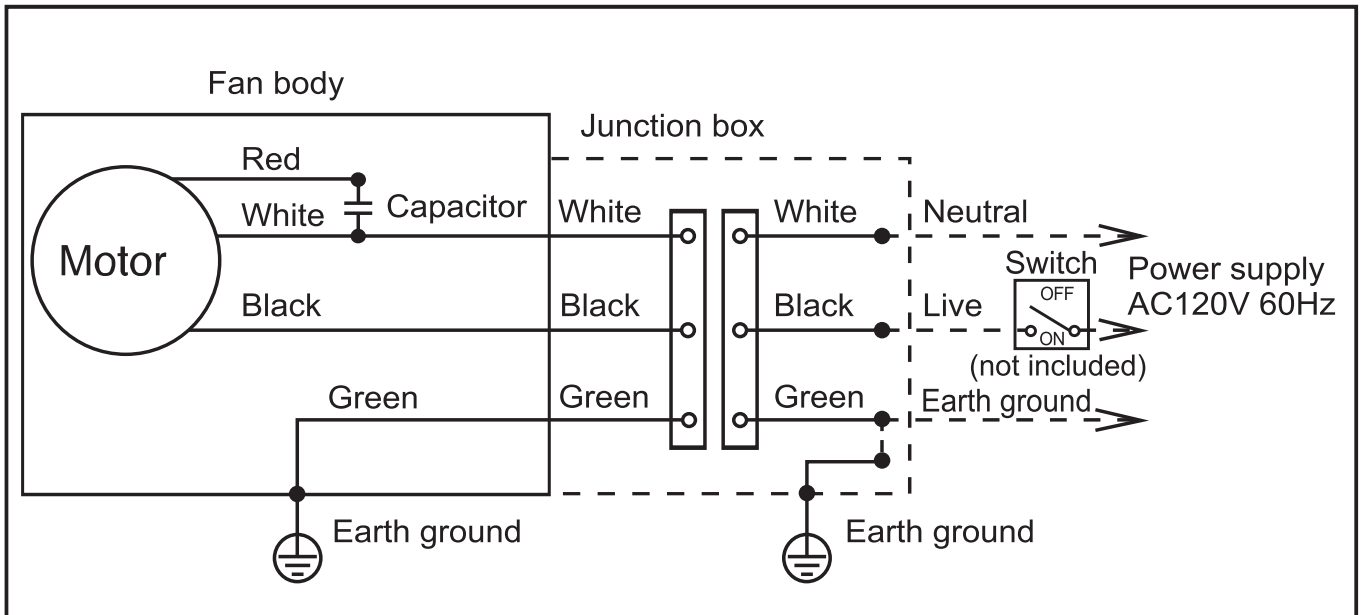
## Main Label Section



## Main Packing Section



## 2. Wiring Diagram



# 3. Parts List

FV-40VQ4

## Mechanical & Metal Section

No.	Part No.	Part Name	Q'ty	Remark
1	FFV0720007S	Cord Bushing	1	
2	FFV1600032S	Frame Assembly	1	
3	FFV0000011S	Adapter Assembly	1	⚠
4	FFV0900008S	Connector Plate	1	
5	FFV7020015S	Hexagon Nut	1	
6	FFV0900002S	Connector Assembly	1	⚠
7	FFV3402103S	Lead Wire	1	⚠
8	FFV2800006S	Junction Cover	1	
9	FFV7010027S	Toothed Lock Washer	2	Use For Fixing Adapter Assembly
10	FFV3700110S	Motor Assembly	1	⚠
11	FFV3450001S	Lead Wire Protect Plate	1	
12	FFV0400054S	Blade Assembly	1	
13	FFV7010043S	Washer	1	Use For Fixing Blade
14	FFV7010010S	Spring Washer	1	Use For Fixing Blade
15	FFV7020006S	Domed Cap Nut	1	For Fixing Blade
16	FFV0790013S	Casing	1	
17	FFV0940007S	Cut Off	1	
18	FFV5710003S	Orifice Set Plate	3	
19	FFV4300067S	Orifice	1	
20	FFV5710001S	Grille Set Plate 1	1	
21	FFV5710002S	Grille Set Plate 2	1	
22	FFV5710004S	Capacitor Set Plate	1	
23	NCNK-4N	Cord Clip	2	
24	FFV0750049S	Capacitor	1	200V,13uF ⚠
25	FFV0760024S	Capacitor Box	1	
26	FFV2240001S	Heat Shrink Tube	2	
27	FFV0900024S	Connector	1	
28	FFV0730017S	Cord	1	⚠
29	FFV3700334S	Motor Unit	1	⚠
30	FFV3400028S	Grille Assembly	1	
31	FFV5560017S	Spring	2	
32	FFV5560050S	Spring Stopper	1	
A	FFV7000074S	Truss Tap Screw	10	
B	FFV7000091S	Pan Tap Screw	2	For Fixing Connector Plate & Junction Cover
C	FFV7000168S	Earth Screw Assembly	2	For Fixing Earth Lead Wire
D	FFV7000079S	Pan Tap Screw	6	For Fixing Motor Assembly
E	FFV7000018S	Truss Tap Screw	2	For Fixing Cord Clip
F	FFV7000080S	Plus Truss Screw	1	For Fixing Capacitor Set Plate to Orifice
G	FFV7000140S	Pan Tap Screw	2	For Fixing Spring Stopper to Grille

### 3. Parts List

FV-40VQ4

#### Label Section

No.	Part No.	Part Name	Q'ty	Remark
33	FFV5240001S	Rotation Arrow	1	Sticked on Blade Assembly
34	FFV2260003S	UL Mark	1	Sticked on Orifice
35	FFV1320001S	ESP Mark	1	Sticked on Orifice
36	FFV0810010S	Caution Label	1	Sticked on Orifice
37	FFV2260002S	HVI Mark	1	Sticked on Orifice
38	FFV4020766S	Name Plate	1	Sticked on Orifice

#### Packing & Accessories Section

No.	Part No.	Part Name	Q'ty	Remark
39	FFV4650032S	Poly Cover	1	
40	FFV4710244S	Grille Pad Assembly	1	
41	FFV9000569S	Packing Case Assembly	1	For Hanger Assembly Packing
42	FFV4710245S	Left Pad	1	
43	FFV4710246S	Right Pad	1	
44	FFV4710247S	Bottom Pad	1	
45	FFV9001040S	Packing Case Assembly	1	
46	FFV2540058S	Installation Instruction	1	English,For USA/CA Market
47	FFV0010169S	Accessory Set A	1	
48	FFV2540059S	Installation Instruction	1	Spanish,For USA Market
(48)	FFV2540060S	Installation Instruction	1	French,For CA Market
49	FFV2230005S	Hanger Assembly	1	
50	FFV2230006S	Hanger	4	
51	FFV5210003S	Rubber Plate	4	
52	FFV5210002S	Rubber Washer No.2	4	
53	FFV5210001S	Rubber Washer No.1	4	
54	FFV0010031S	Accessory	1	