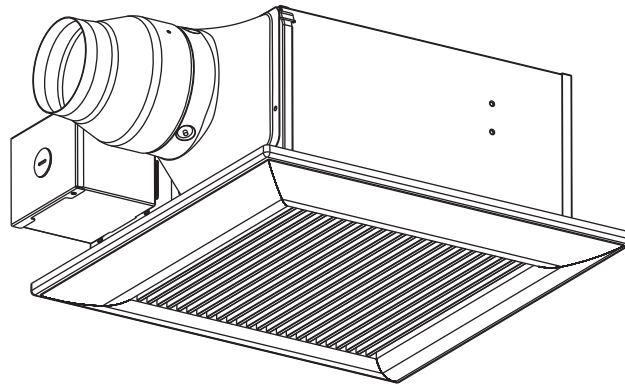


# Service Manual

Ventilating Fan  
(North America Market)

FV-08-11VF5



## ⚠ WARNING

This service information is designed for experienced repair technicians only and is not designed for use by the general public. It does not contain warnings or cautions to advise non-technical individuals of potential dangers in attempting to service a product. Products powered by electricity should be serviced or repaired only by experienced professional technicians. Any attempt to service or repair the product or products dealt with in this service information by anyone else could result in serious injury or death.

## IMPORTANT SAFETY NOTICE

There are special components used in this equipment which are important for safety. These parts are marked by  $\triangle$  in the Schematic Diagrams, Exploded Views and Replacement Parts List. It is essential that these critical parts should be replaced with manufacturer's specified parts to prevent shock, fire or other hazards. Do not modify the original design without permission of manufacture. We suggest to handle such parts after the static electricity prevention. It is forbidden to touch the PCB parts by bare hands during the repairing process.

CONTENTS	PAGE
1.Specifications-----	1
2.Parts Identification-----	2~3
3.Wiring Diagram-----	4
4.Parts List-----	5~6

# 1. Specifications

## F-08-11VF5

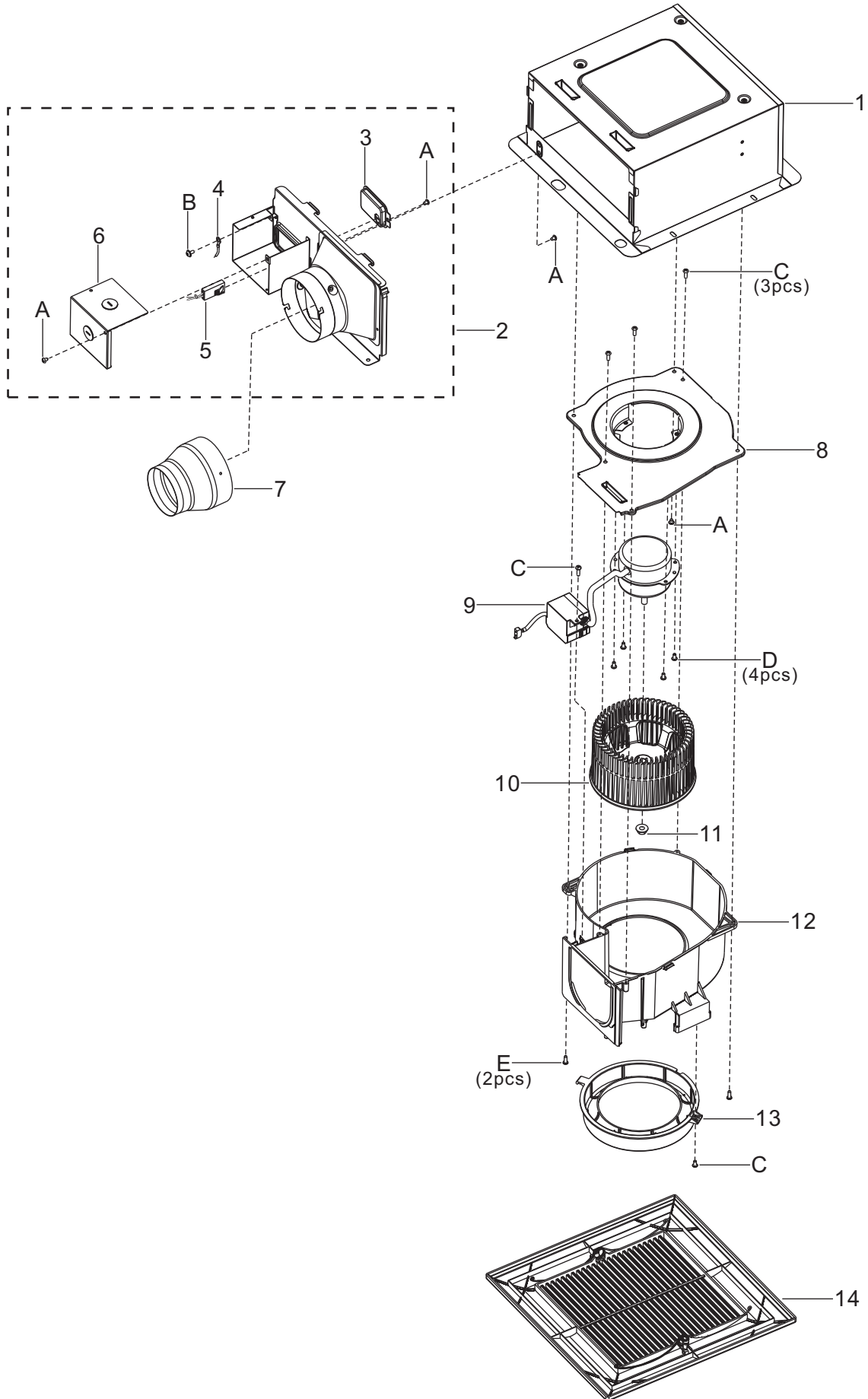
Model No.	Air direction	Voltage (V)	Frequency (Hz)	Duct diameter (inches)	Air volume at 0.1"WG (CFM)	Noise (sones)	Speed (rpm)	Power (W)	Weight lb.(kg)
								Fan	
FV-08-11VF5	Exhaust	120	60	3	70	0.5	1036	20.9	9.3(4.2)
					100	1.3	1246	26.4	
				4	80	0.3	890	21.1	
					110	0.8	1015	26.5	

HVI Certified performance based on HVI Procedures 915, 916, and 920.

# 2. Parts Identification

F-08-11VF5

## Main Body Section



# 2. Parts Identification

F-08-11VF5

## Main Labels



15



18



16



19

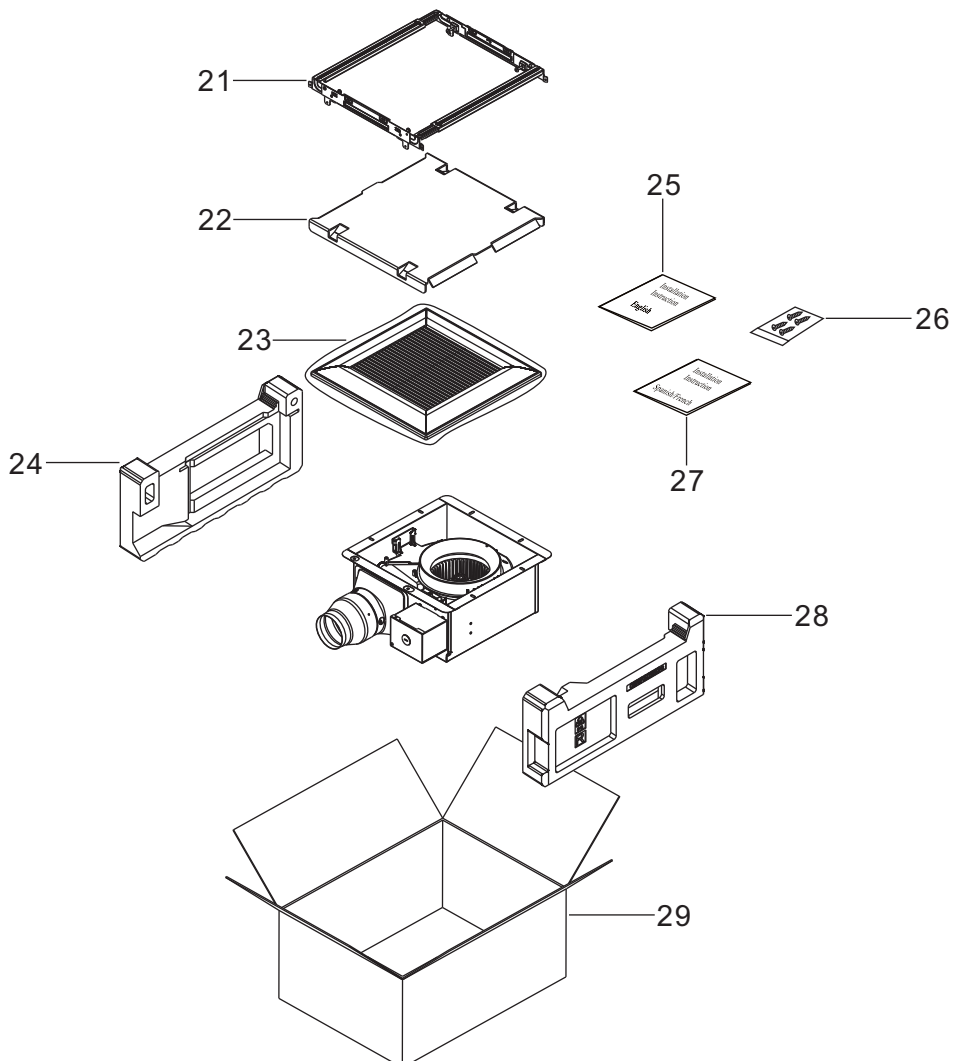


17



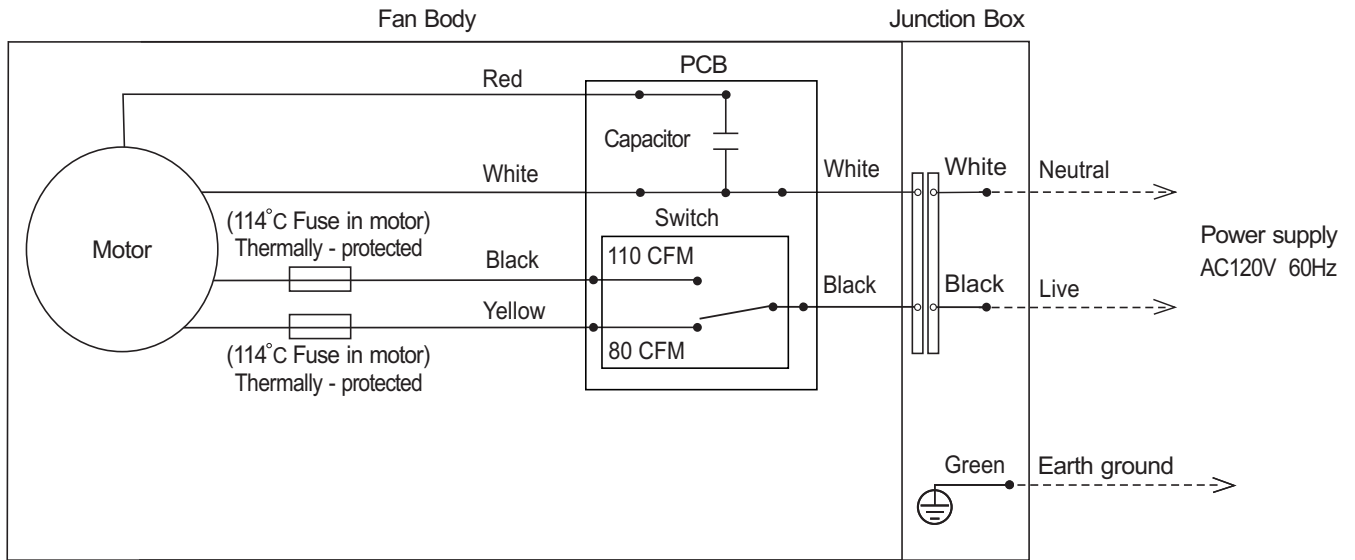
20

## Packing Section



# 3. Wiring Diagram

F-08-11VF5



## 4. Parts List

F-08-11VF5

### Main Body Section

No.	Part No.	Part Name	Q'ty	Remark
1	FFV1600146S	Frame Assembly	1	
2	FFV0000155S	Adapter Assembly	1	⚠
3	FFV0900052S	Connector Plate	1	
4	FFV3450010S	Earth Lead Wire	1	⚠
5	FFV0900059S	Connector Assembly (V)	1	⚠
6	FFV2800020S	Junction Cover	1	
7	FFV0000038S	Adapter Connector	1	
8	FFV3702266S	Motor Support	1	
9	FFV3702267S	Motor Unit	1	⚠
10	FFV0400119S	Blade	1	
11	FFV7020021S	Nut	1	For Fixing Blade
12	FFV0790115S	Casing	1	Include 1pc Packing
13	FFV4300131S	Orifice	1	
14	FFV3402124S	Louver Section	1	
A	FFV7000108S	Truss Tap Screw	4	
B	FFV7000203S	Earth Lead Wire Screw	1	For Fixing Lead Wire ⚠
C	FFV7000089S	Truss Tap Screw	5	
D	FFV7000074S	Truss Tap Screw	4	
E	FFV7000080S	Plus Bind Screw	2	

### Main Labels

No.	Part No.	Part Name	Q'ty	Remark
15	FFV4020843S	Name Plate	1	
16	FFV5530075S	Switch Label	1	
17	FFV0810011S	Caution Label 1	1	
18	FFV0810010S	Caution Label	1	
19	FFV6730045S	Warning Label	1	
20	FFV2260003S	UL Mark	1	

## 4. Parts List

F-08-11VF5

### Packing Section

No.	Part No.	Part Name	Q'ty	Remark
21	FFV2230024S	Hanger Assembly	1	
22	FFV4710381S	Louver Case Assembly	1	
23	FFV4650016S	Poly Cover	1	For Louver Section Packing
24	FFV4710394S	Left Pad	1	
25	FFV2540187S	Installation Instructions	1	English,For CA Market/USA Market
26	FFV0010238S	Accessory A	1	
27	FFV2540188S	Installation Instructions	1	French,For USA Market
(27)	FFV2540189S	Installation Instructions	1	Spanish,For CA Market
28	FFV4710395S	Right Pad	1	
29	FFV9001206S	Packing Case Assembly	1	