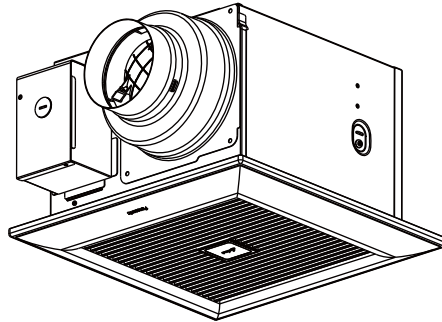


Service Manual

Ventilating Fan (North America Market)




FV-05-11VKS1

WARNING

This service information is designed for experienced repair technicians only and is not designed for use by the general public. It does not contain warnings or cautions to advise non-technical individuals of potential dangers in attempting to service a product. Products powered by electricity should be serviced or repaired only by experienced professional technicians. Any attempt to service or repair the product or products dealt with in this service information by anyone else could result in serious injury or death.

IMPORTANT SAFETY NOTICE

There are special components used in this equipment which are important for safety. These parts are marked by  in the Schematic Diagrams, Exploded Views and Replacement Parts List. It is essential that these critical parts should be replaced with manufacturer's specified parts to prevent shock, fire or other hazards. Do not modify the original design without permission of manufacture. We suggest to handle such parts after the static electricity prevention. It is forbidden to touch the PCB parts by bare hands during the repairing process.

CONTENTS	PAGE
1. Specifications	1
2. Parts Identification	2~5
3. Wiring Diagram	6
4. Parts List	7~8

1. Specifications

■ Specifications for Base Model fans

Model No.	Air direction	Voltage (V)	Frequency (Hz)	Duct diameter (inches)	Air volume at 0.1"WG (CFM)	Noise (sones)	Speed (rpm)	Power (W)	Weight lb.(kg)
FV-05-11VKS1	Exhaust	120	60	4 or 6	50	<0.3	740	3.5	10.6(4.8)
					80	<0.3	795	5.5	
					110	0.4	915	9.5	

HVI Certified performance based on HVI Procedures 915,916,and 920.

■ Specifications for Multi Speed fans

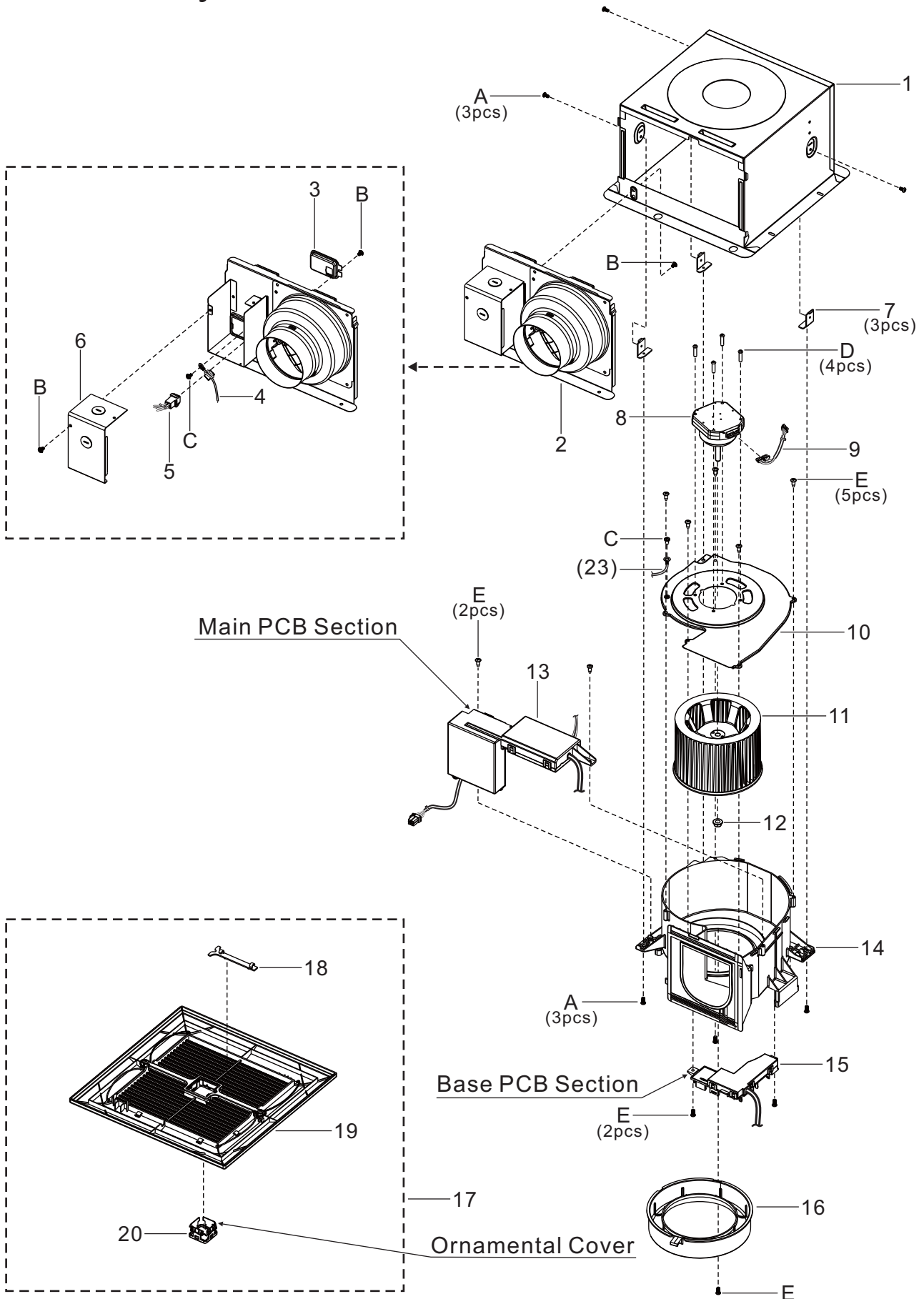
Model No.	Air direction	Voltage (V)	Frequency (Hz)	Duct diameter (inches)	Air volume at 0.1"WG (CFM)	Noise (sones)	Speed (rpm)	Power (W)	Weight lb.(kg)
FV-05-11VKS1	Exhaust	120	60	4 or 6	100	<0.3	870	8.0	10.6(4.8)
					90	<0.3	835	6.5	
					80	<0.3	795	5.5	
					70	<0.3	760	4.3	
					60	<0.3	745	3.6	
					50	<0.3	740	3.5	
					40	<0.3	730	2.7	
					30	<0.3	725	2.4	
					0	--	--	0.5 (*)	

Reference performance based on HVI Procedures 915, 916,and 920. [(*) Standby wattage.]

2.Parts Identification

FV-05-11VKS1

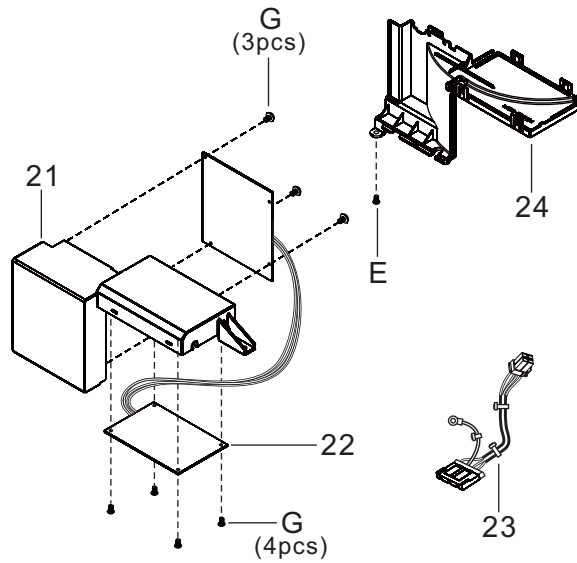
Main Body Section



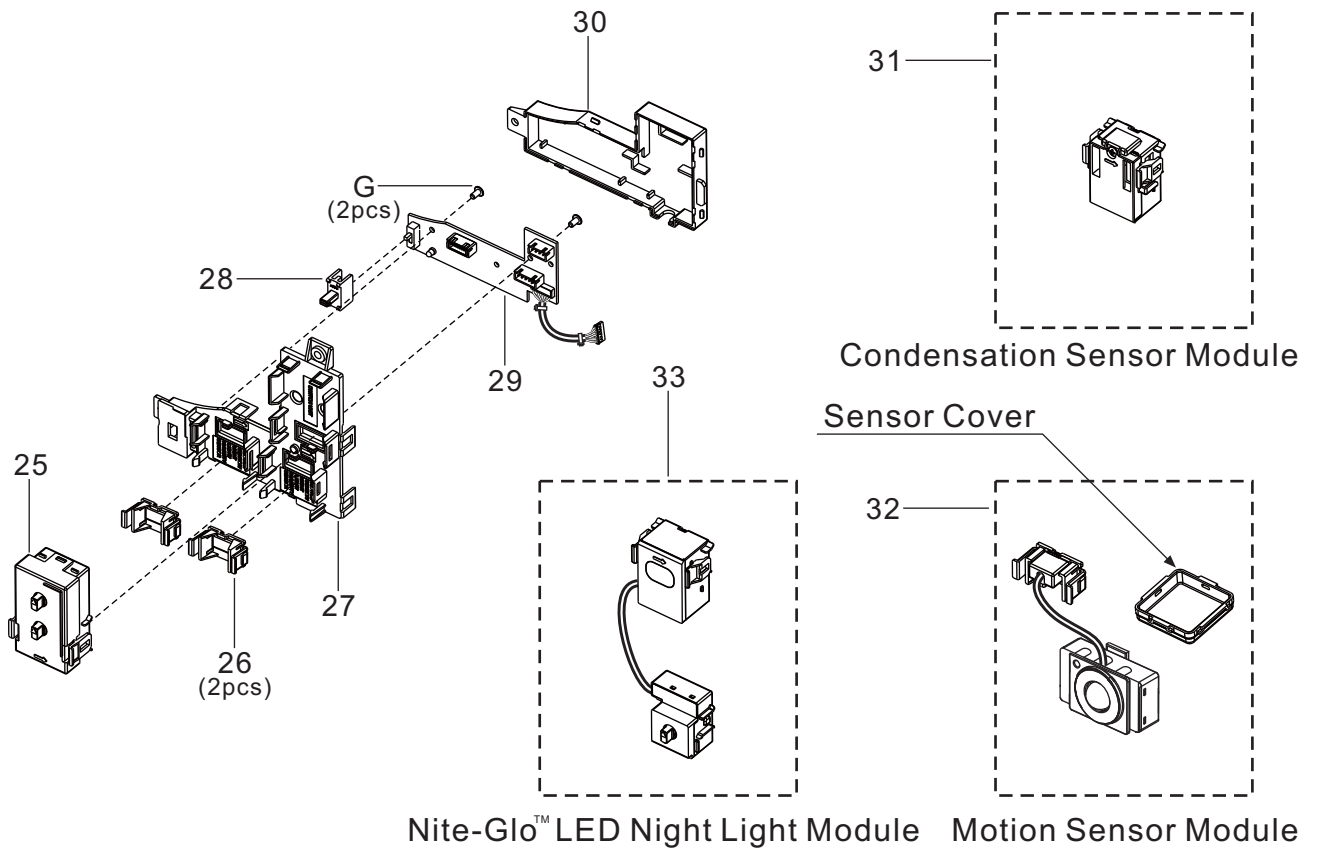
2.Parts Identification

FV-05-11VKS1

Main PCB Section



Base PCB Section

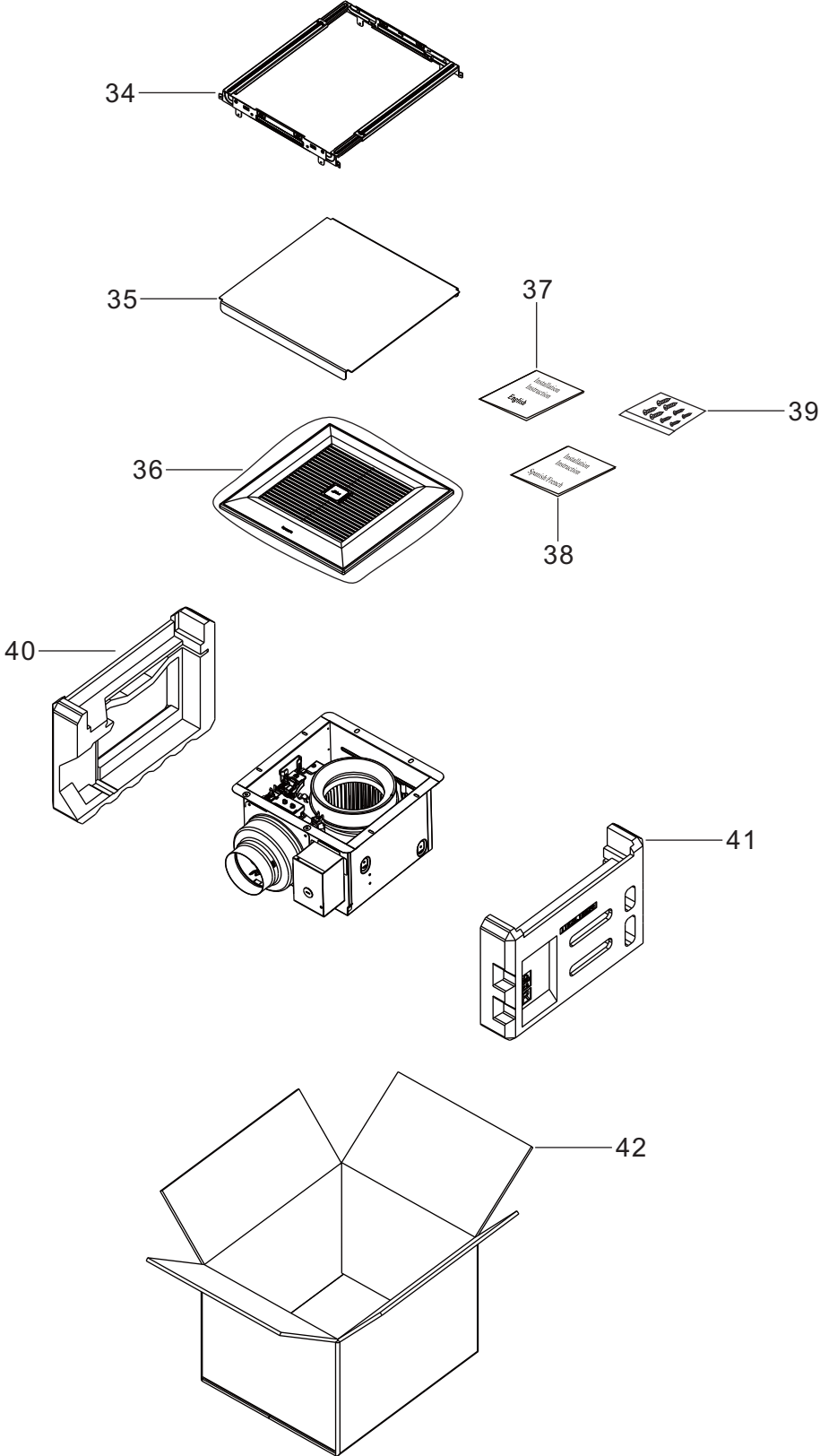


- 1, Please note that above parts with (No.31,32,33) are the optional parts base on different customer's request.
- 2, If install the motion sensor control, please remove the ornamental cover and replace the sensor cover.

2.Parts Identification

FV-05-11VKS1

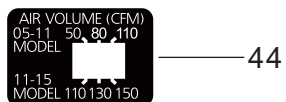
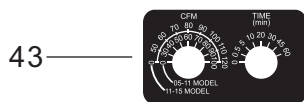
Packing Section



2.Parts Identification

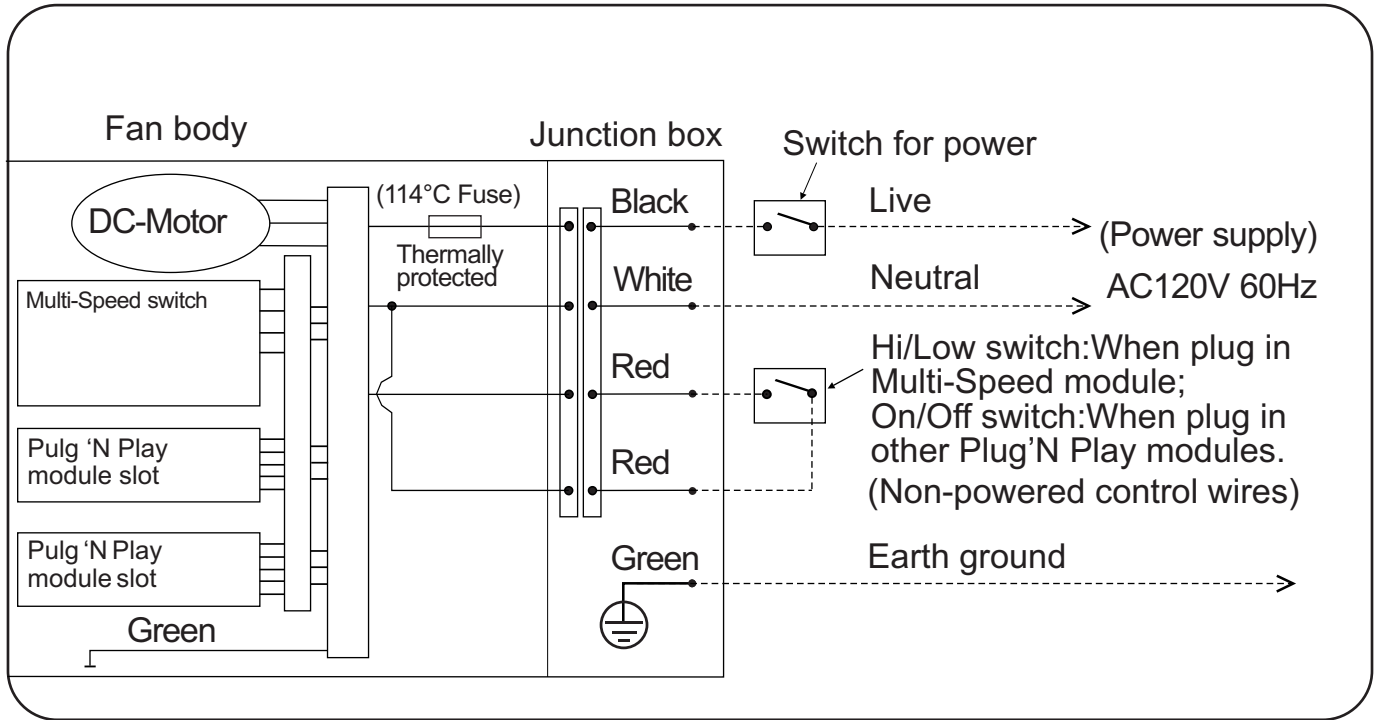
FV-05-11VKS1

Main Label



3. Wiring Diagram

FV-05-11VKS1



4.Parts List

FV-05-11VKS1

Main Body Section

No.	Part No.	Part Name	Q'ty	Remark
1	FFV1600138S	Frame Assembly	1	
2	FFV0000147S	Adapter Assembly	1	⚠
3	FFV0900053S	Connector Plate	1	
4	FFV1340008S	Earth Lead Wire Assembly	1	⚠
5	FFV0900051S	Connector Assembly	1	⚠
6	FFV2800021S	Junction Cover	1	
7	FFV0800001S	Casing Support	3	
8	FFV3702255S	Motor Assembly	1	⚠
9	FFV4620109S	Motor Lead Wire Assembly	1	⚠
10	FFV3702256S	Motor Support	1	
11	FFV0400114S	Blade	1	
12	FFV7020021S	Nut	1	For Fixing Blade
13	FFV3740030S	Main PCB Section	1	⚠
14	FFV0790108S	Casing	1	Include 4pcs Sponge
15	FFV0410004S	Base PCB Section	1	Not Include Multi-Speed Module ⚠
16	FFV4300149S	Orifice	1	
17	FFV3402167S	Louver Section	1	Include Insulation Plate&Ornamental Cover
18	FFV2520025S	Insulation Plate	1	
19	FFV3402168S	Louver Assembly	1	
20	FFV2220074S	Ornamental Cover	1	
A	FFV7000065S	Bind Screw	6	
B	FFV7000108S	Truss Tap Screw	3	
C	FFV7000203S	Earth Lead Wire Screw	2	For Fixing Earth Lead Wire ⚠
D	FFV7000109S	Stainless Steel Screw	4	For Fixing Motor Assembly
E	FFV7000089S	Truss Tap Screw	11	
F	FFV7000191S	Bind Screw	1	For Fixing Light Kit Cover Assembly

Main PCB Section

No.	Part No.	Part Name	Q'ty	Remark
21	FFV3740027S	Main PCB Box	1	
22	FFV3740028S	Main PCB Assembly	1	⚠
23	FFV4620110S	Power Lead Wire	1	⚠
24	FFV3740014S	Main PCB Cover	1	
E	FFV7000089S	Truss Tap Screw	1	For Fixing Main PCB Cover
G	FFV7000145S	Truss Tap Screw	7	For Fixing Main PCB Assembly

4.Parts List

FV-05-11VKS1

Base PCB Section

No.	Part No.	Part Name	Q'ty	Remark
25	FFV5530071S	Multi-Speed Module	1	⚠
26	FFV0900063S	Connector Cover	2	
27	FFV0410001S	Base PCB Cover	1	
28	FFV5530072S	Variable Speed Switch	1	
29	FFV0410002S	Base PCB Assembly	1	⚠
30	FFV0410003S	Base PCB Box	1	
31	FFV0010237S	Condensation Sensor Module	1	⚠
32	FFV3740029S	Motion Sensor Module	1	Include Sensor Cover ⚠
33	FFV3420080S	Nite-Glo™ LED Night Light Module	1	⚠
G	FFV7000145S	Truss Tap Screw	2	For Fixing Base PCB Assembly

Packing Section

No.	Part No.	Part Name	Q'ty	Remark
34	FFV2230024S	Hanger Assembly	1	
35	FFV4710381S	Louver Case Assembly	1	
36	FFV4650016S	Poly Cover	1	
37	FFV2540178S	Installation Instructions	1	English,For USA/CA Market
38	FFV2540179S	Installation Instructions	1	Spanish,For USA Market
(38)	FFV2540180S	Installation Instructions	1	French,For CA Market
39	FFV0010238S	Accessory A	1	
40	FFV4710382S	Left Pad	1	
41	FFV4710383S	Right Pad	1	
42	FFV9001115S	Packing Case Assembly	1	

Main Label

No.	Part No.	Part Name	Q'ty	Remark
43	FFV5530073S	Switch Indication	1	Stuck On Switch Unit
44	FFV5530074S	Speed Switch Label	1	Stuck On Base PCB Box
45	FFV4020823S	Name Plate	1	Stuck On Frame Assembly
46	FFV0810011S	Caution Label 1	1	Stuck On Frame Assembly
47	FFV0810010S	Caution Label	1	Stuck On Frame Assembly
48	FFV6730045S	Warning Label	1	Stuck On Frame Assembly
49	FFV2260003S	UL Mark	1	Stuck On Frame Assembly