

**Specification Submittal Data / Panasonic Ventilation Fan**

**Description:**

Ventilating fan shall be Low Noise ceiling or wall mount type rated for continuous run. Fan shall be ENERGY STAR® rated and certified by the Home Ventilation Institute (HVI). Evaluated by Underwriters Laboratories and conform to both UL and cUL safety standards.

**Motor/Blower:**

- Four-pole totally enclosed condenser motor rated for continuous run.
- Power Rating shall be 120 volts and 60 Hz.
- Fan shall be UL and cUL listed for tub/shower enclosure when used with a GFCI protected circuit and used in insulated ceiling (TYPE I.C)
- Motor equipped with thermal-cut-off fuse.
- Removable with permanently lubricated plug-in motor.

**Housing:**

- Rust proof paint, galvanized steel body.
- 4" oval, round compatible diameter duct.
- Optional 24 gauge steel, fire code rated 4" oval to 3" round duct adaptor sold separately (Model # FV-VS43R).
- Built in backdraft damper.
- Built-in metal flange provides blocking for penetrations through drywall as an Air Barrier, and assists with the decrease in leakage in the Building Envelope during blower door testing.
- Unique L-shaped bracket simplifies installation and provides strong support.

**Grille:**

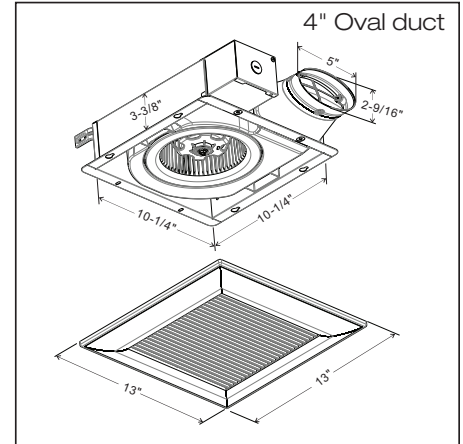
- Attractive design using PP material.
- Attaches directly to housing with torsion springs.

**Warranty:**

- ALL Parts: For period of 3 years from the date of the original purchase.

**Architectural Specifications:**

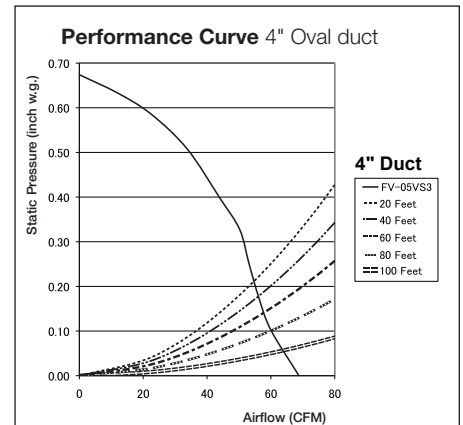
Ventilation fan shall be ceiling or wall mount, ENERGY STAR rated, with no less than 60 CFM and no more than 0.4 sone as certified by the Home Ventilating Institute (HVI) at 0.1 static pressure in inches water gauge (w.g.) with no less than 53 CFM and no more than 1.0 sone as certified by HVI at 0.25 w.g. Power Consumption shall be no greater than 15.9 watts at 0.1 w.g. and 16.3 watts at 0.25 w.g. ENERGY STAR rated with efficiency of no less than 3.8 CFM/watt at 0.1 w.g. and 3.3 CFM/watt at 0.25 w.g. The motor shall be totally enclosed, four pole condenser type engineered to run continuously. Power rating shall be 120v/60Hz. Duct diameter shall be no less than 4". Optional 24 gauge steel, fire code rated 4" oval to 3" round duct adaptor sold separately (Model # FV-VS43R). Fan shall be UL and cUL listed for ceiling or wall installation and tub/shower enclosure when used with a GFCI protected circuit. Fan can be used to comply with ASHRAE 62.2, LEED, ENERGY STAR IAP, EarthCraft, California Title-24 and WA Ventilation Code.



FV-05VS3

Specifications: <b>WhisperValue</b> FV-05VS3		4" Oval Duct	
<b>Ventilation Fan Characteristics</b> (HVI Certified Data)	Static Pressure in inches w.g.	0.1	0.25
	Air Volume (CFM)	60	53
	Noise (sones)	0.4	1.0
	Power Consumption (watts)	15.9	16.3
	Energy Efficiency (CFM/Watt)	3.8	3.3
	Speed (RPM)	706	980
	Current (amps)	0.13	0.14
	Power Rating (V/Hz)	120/60	
	ENERGY STAR rated	YES	

0.25=Installed Performance



For complete Installation Instructions visit [panasonic.com](http://panasonic.com)

Model	Quantity	Comments	Project:
			Location:
			Architect:
			Engineer:
			Contractor:
			Submitted by:
			Date:

Panasonic Canada Inc.  
5770 Ambler Drive, Mississauga, ON L4W 2T3  
Phone: 800-669-5165  
Email: [ventilationfans@ca.panasonic.com](mailto:ventilationfans@ca.panasonic.com)

[panasonic.com](http://panasonic.com)

