

SECURITY
YOU CAN COUNT ON.



Key Features

- Pendant mount shroud designed for use with Panasonic WV-SFVXXX Vandal Dome Cameras
- Durable aluminum construction with polyurethane coating
- Designed with an internal 1½" NPT threaded pipe coupling for extension pipes and brackets with external NPT threaded ends (not included).
- Indoor or Outdoor use
- Colour match to Panasonic cameras
- Includes: 4 x slotted head aluminum screws for camera mounting

Shipping

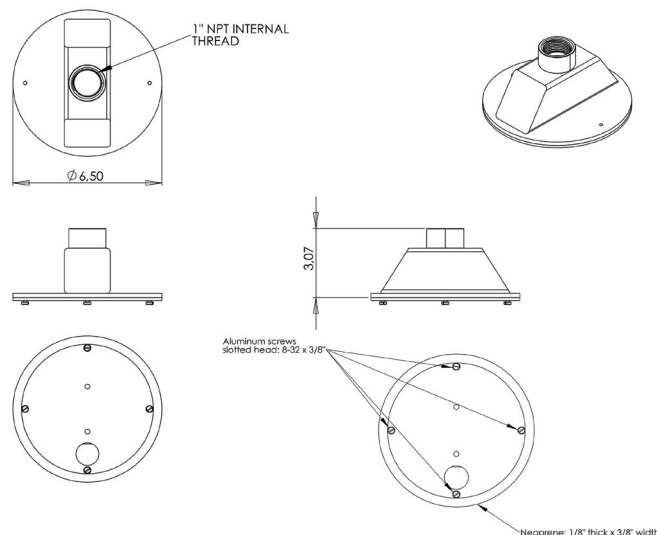
Dimensions: 17.78cm (L) x 17.78cm (W) x 10.16cm (D)
7" (L) x 7" (W) x 4" (D)

Weight: 0.68Kg
1.51lbs

Description

The PANFSP021 is a heavy duty aluminum construction pendant shroud designed for use with Panasonic WV-SFVXXX series fixed vandal dome cameras. This shroud is a clean, low profile mounting option when a pendant style hanging mount solution is required. The PANFSP021 is designed with a 1½" internal NPT threaded coupling to be use with externally threaded pipe extensions or mounting bracket (not included). PANFSP021 is colour matched to the Panasonic vandal dome series WV-SFVXXX using colour code RAL 7047.

Appearance



Note: Mounting hardware is included with all of the kits and mounting options listed in this document. Included hardware does not include fasteners or anchors for mounting to the wall itself.

business.panasonic.ca
1-800-495-0580