

Brackets

Pole Mount Adaptor Bracket

DESCRIPTION

The PAPM3 pole mount adapter is constructed of aluminum, and is finished in a black powder coat finish.

The PAPM3 works with PWM20G, PWM20GS gooseneck wall brackets as well as POD series wall mount dome housings to allow for pole mount applications.

Works with pole diameters between 3" 15".

Note: stainless steel straps not included.

PAPM3



NOTE: Stainless steel straps not included

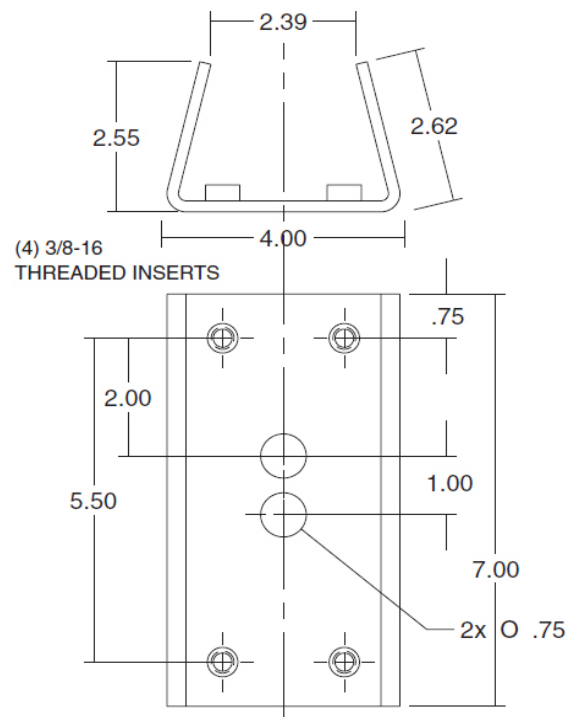
FEATURES

- Durable powder coat finish
- All aluminum construction
- Threaded bolt inserts to make installation easier and quicker
- 60 lb load rating

SHIPPING

PAPM3: 1.36Kg (3lbs) 229mm x 203mm x 127mm (9" x 8" x 5")

DIMENSIONAL DRAWING



Made for Panasonic Canada Inc.
5770 Ambler Drive Mississauga, Ontario L4W 2T3
Phone: (905) 624-5010 Fax: (905) 238-2350

SECURITY
YOU CAN COUNT ON.

Panasonic ideas for life
www.panasonic.ca