

SECURITY
YOU CAN COUNT ON.



Key Features

- Wall or pendant mount for Panasonic camera model WV-SFV781L
- Durable solid aluminum construction
- 1 1/2" NPT thread for easy wall/pendant mounting
- Indoor or Outdoor use
- Colour: Pantone grey

Optional Mounting Adaptors

Pole Mount Adaptor: PAPM3
Corner Mount Adaptor: PACA2

Shipping

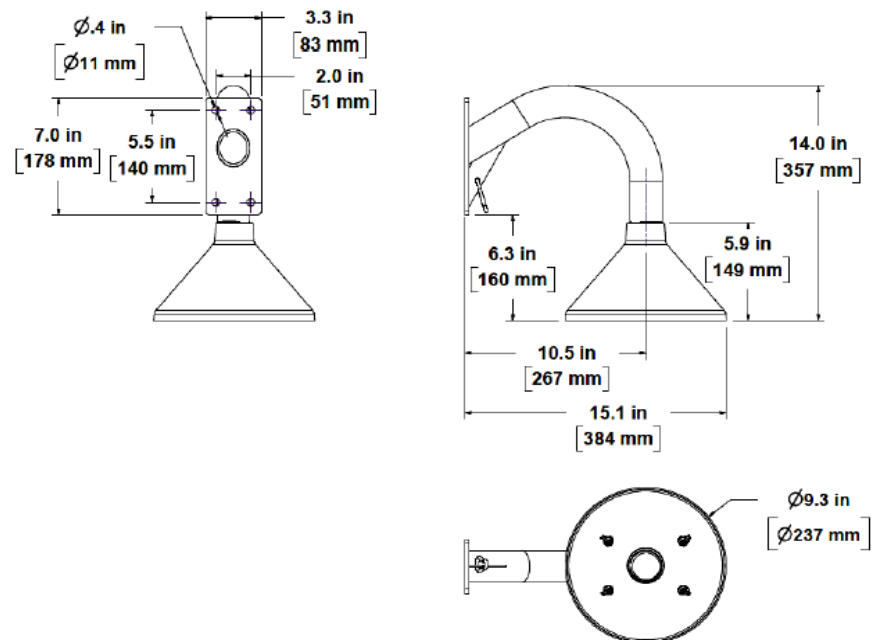
Dimensions: 30.5cm (L) x 30.5cm (W) x 30.5cm (D)
12" (L) x 12" (W) x 12" (D)

Weight: 4.5Kg
9.9lbs

Description

The PWM781 is a cast aluminum top cover with a gooseneck wall mount bracket used for Panasonic camera model WV-SFV781L to provide a clean, attractive wall mount installation. Optional adaptors are available to convert this kit to pole, corner mount applications.

Appearance



Note: Mounting hardware is included with all of the kits and mounting options listed in this document. Included hardware does not include fasteners or anchors for mounting to the wall itself.