



Smart look Day/Night Fixed Dome Camera with advanced features

Key Features

- High resolution: 650 TV lines
- High sensitivity with Day/Night (electrical) function: 0.08 lx (Color), 0.05 lx (B/W) at F1.4
- ABS (Adaptive Black Stretch) enhances visibility of dark area without degrading image quality in bright area.
- ABF (Auto Back Focus) ensures easy installation (WV-CF354).
- Focus Assist ensures easy installation.(WV-CF344)
- Various adjustment features including BLC (Back-Light Compensation), ATW (Auto Tracing White Balance) and ALC (Automatic Light Control)
- 2.8 ~ 10 mm 3.6x Varifocal Auto Iris lens
- 16 axis matrix color compensation function enables wider range of natural color adjustment.
- Adaptive Digital Noise Reduction: Integration of 2D-DNR and 3D-DNR ensures noise reduction in various conditions.
- Electronic sensitivity enhancement: Auto (Up to 32x) / Fix (Up to 512x)
- Electronic shutter from 1/100 to 1/120,000 sec.
- Digital zoom: Up to 2x
- Auto Image Stabilizer for applications where vibration or wind is a concern
- Internal / Multiplexed Vertical Drive (VD2) synchronization
- Over the coaxial cable data communication
- 16 alphanumeric camera title display
- Multi language: English, French, Italian, Spanish, German, Russian, Chinese, Japanese

- Wide coverage :
WV-CF344 Horizontal: 100.3 °, Vertical: 73.5 °
WV-CF354 Horizontal: 100.3 °, Vertical: 73.4 °
- Lens Distortion Correction
- On screen display menu
- Monitor output and ELC mode for easier lens adjustment upon installation
- 3-way hinge (horizontal, vertical and swivel rotation) for easy installation
- Various mounting options: Surface mount, Embedded mount (with optional WV-Q174)
- Smart look fits for various applications such as shopping mall, hotels and hospitals.

Standard Accessories

Installation Guide.....	1 pc.	CD-ROM*	1 pc.
The following is used during installation procedures:			
Installation template panel.....	1 pc.		
*The CD-ROM contains the operating instructions (PDF).			

Optional Accessories

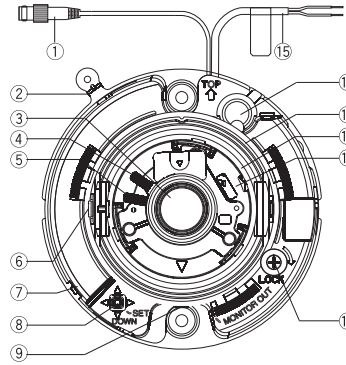
Embedded Ceiling Mount Bracket (Sail white)
WV-Q174



Specifications

TV System	NTSC		
Camera	Image Sensor	1/3 type interline transfer CCD	
	Effective Pixels	976 (H) x 494 (V)	
	Scanning Mode	2:1 interlace	
	Scanning Area	4.8 (H) x 3.6 (V) mm	
	Scanning Frequency	Horizontal:	15.734 kHz
		Vertical:	59.94 Hz
	Horizontal Resolution	650 TV lines	
	Minimum Illumination	Color:	0.08 lx (Sens Up: Off, AGC: High)
		B/W:	0.05 lx (Sens Up: Off, AGC: High)
	Signal-to-Noise Ratio	52 dB (AGC: OFF)	
	White Balance	AWC	(2,000 ~ 10,000 K), ATW1 (2,700 ~ 8,000 K), ATW2 (2,400 ~ 8,000 K)
		Light Control	ALC/ALC+/ELC
	AGC	ON (LOW, MID, HIGH) / OFF	
	Electronic Shutter	OFF	(1/60), AUTO, 1/100, 1/250, 1/500, 1/1,000, 1/2,000, 1/4,000, 1/10,000, 1/120,000
		Electronic Sensitivity UP	32x max. AUTO, 512x max. FIX
	Day & Night	WV-CF354/WV-CF344: Day & Night (Electrical) Off / Auto	
	Digital Noise Reduction	High or Low	
Scene File	2 patterns		
Video Motion Detection	OFF / MOTION DET / SCENE CHANGE		
Privacy Zone	ON (1) / ON (2) / OFF, up to 8 zones		
Auto Image Stabilizer	ON / OFF		
Camera Title	16 alphanumeric characters		
Synchronization	Internal (INT) / Multiplexed Vertical Drive (VD2)		
Lens	Focal Length	2.8 mm ~ 10.0 mm	
	Zoom Ration	3.6x	
	Angular Field of View	WV-CF344 H:	27.6° (Tele) ~ 100.3° (Wide), V: 20.7° (Tele) ~ 73.5° (Wide)
		WV-CF344 V:	27.8° (Tele) ~ 100.3° (Wide), V: 20.9° (Tele) ~ 73.4° (Wide)
Maximum Aperture Ratio	WV-CF344	1:1.3 (Wide) ~ 3.1 (Tele)	
	WV-CF354	1:1.3 (Wide) ~ 3.0 (Tele)	
Focusing Range	0.3 m (0.98 ft.) ~ ∞		
Adjustable angle range	Pan:	+180° to -170°	
	Tilt:	±90°	
	Azimuth:	±100°	
Input/Output	Video Output	1.0 V [p-p] / NTSC composite 75	
	Controller Interface	Coaxial Multiplex System	
General	Setup Method	OSD setup menu	
	Password Lock	All menus	
	Language	English, Russian, German, French, Italian, Spanish, Chinese, Japanese	
	Safty/EMC Standard	UL	(UL60065), FCC (Part 15 ClassA), C-UL (E60065), DOC (ICES-003)
		Power Source and Power Consumption	12 V DC, 180 mA / 24 V AC, 60 Hz, 2.1 W
	Ambient Operating Temperature	-10 °C ~ +50 °C (14 °F ~ 122 °F)	
	Ambient Operating Humidity	90 % or less (without condensation)	
	Dimensions	ø108 x 94 mm (H) (ø4-1/4" x 3-3/4" (H))	
	Mass (approx.)	320 g	
	Finish	ABS resin / Sail White	

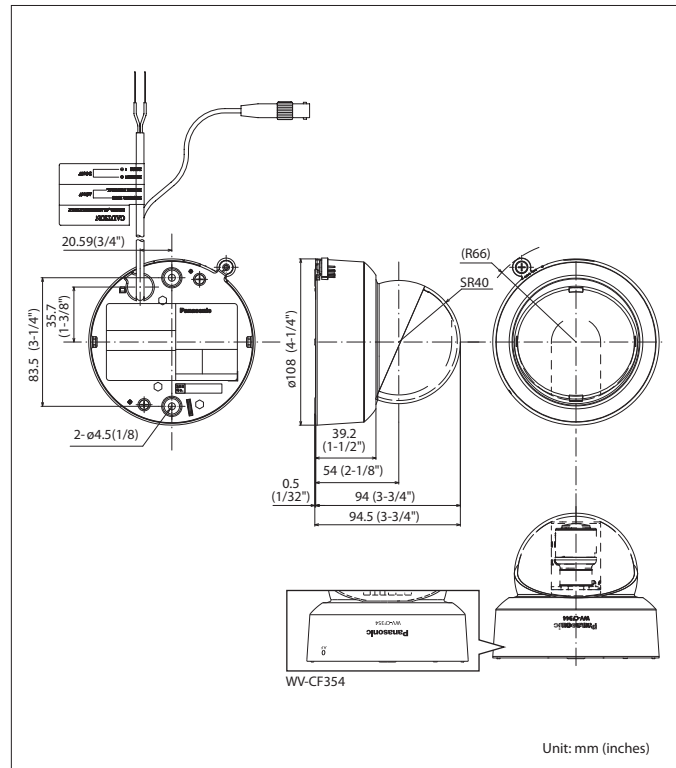
Part Names and Functions



* This illustration represents WV-CF344.

- | | |
|---|----------------------------------|
| ① Video output connector | ⑨ Adjustment monitor output jack |
| ② Mark | ⑩ Panning table lock screw |
| ③ Lens | ⑪ Azimuth adjuster |
| ④ Focus knob (with lock function)[WV-CF344] | ⑫ Tilting table |
| ⑤ Zoom knob (with lock function) | ⑬ Panning table |
| ⑥ Tiltting lock screw | ⑭ Cable access hole |
| ⑦ AF button [WV-CF354] | ⑮ Power cord |
| ⑧ Set up button [WV-CF344] | |

Appearance



Trademarks and registered trademarks

– Microsoft, and Windows are registered trademarks of Microsoft Corporation in the U.S. and other countries.
Important

– Safety Precaution: carefully read the operating instructions and installation manual before using this product.

– "Super Dynamic", "SD II", "SD III", "SD5", "SD6", "SD5Link", "i-PRO" and "i-PRO SmartHD" logos are trademarks or registered trademarks of Panasonic Corporation.

- All TV pictures are simulated.
- Weights and dimensions are approximate.
- Specifications are subject to change without notice.
- These products may be subject to export control regulations.
- All product pictures are NTSC models.

DISTRIBUTED BY:

Panasonic[®]

<http://panasonic.net/security/>

Printed in Japan (2A-083AL)