

Panasonic

AVCCAM

AG-AC8

Memory Card Camera Recorder

(AG-AC8P, AG-AC8PJ, AG-AC8EJ)



BEST SUITED FOR

- Weddings • Seminars/Conferences
- Documentaries/Movies • Wildlife/Nature
- Sports Events • Parties/Shows

AVCHD
Progressive

HDMI™
HIGH-DEFINITION MULTIMEDIA INTERFACE

SD
XC



AVCCAM 3-Year Warranty Repair Program*

* AG-AC8 users qualify for a 3-year warranty on repairs.

Visit the website for details: <www.panasonic.biz/sav/pass_e>

Simultaneous/Relay (Auto Switch) Recording on Dual Memory



Record simultaneously in two memory devices for added dependability and reliability. In addition, Relay (Auto Switch) Recording enables switching between 2 memory devices, suitable for extended recordings.

Note:

- The voice is interrupted for a few seconds during the device switching.
To eliminate voice gap, use Relay scene combining function (external HDD required).
- Simultaneous Recording is not available during Relay (Auto Switch) Recording.

Ergonomically designed

Stable 4-point support



Ample distance between LCD touch panel and eye position

200mm is the most suitable distance based on verification results.



Excellent forward view on the right side



Functional Design

Easy manual settings with manual ring



Operation of Manual ring

- Focus ● Zoom ● Iris
- White balance ● Shutter speed

Position and diameter designed for easy use. When turning, the weight of the ring enables fine adjustments.

Illuminating LED ring



The illuminating LED ring allows users to verify easily that recording is in progress, making the shooting smoother. Users can turn the illumination on/off.

Main operation switches grouped together



Minimizes erroneous operation

Battery and jacks located on the rear side



Designed for optimum weight balance. Easy to take out battery.

5-Axis HYBRID O.I.S. + (Optical Image Stabilizer)

**5-Axis
HYBRID
O.I.S.+**

Thoroughly suppresses blurring all the way from wide-angle to powerful zoom shots. This lets you capture crisp, clear images in almost every shooting situation.

5-Axis Hand-Shake Detection

Roll rotation



Wrist movements



Arm movements



Level Shot Function



Automatically detects and corrects the tilting of captured images. Records more horizontal images without tripod or even when shooting in an unstable position.



Tilting image



Tilt corrected

More effective in unstable positions

High angle

Low angle



Picture Quality

New High Sensitivity Sensor



Conventional

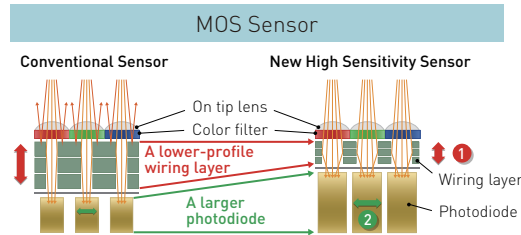


New High Sensitivity Sensor

High Sensitivity Sensor

CRYSTAL ENGINE PRO

Horizontal Resolution
1080 TV Lines



The sensor can capture a large amount of light, which was impossible with the conventional sensor, achieving 1080 TV-line high-definition images.

Quality appearance of lens

Panasonic LENS



The larger lens hood blocks light more effectively.

Dim Light Shooting



Images are bright and sharp even when shooting indoor or nighttime scenes. Dark scenes are brightened, and images are low-noise.

28mm Wide-Angle

28mm WIDE



(simulated)

--- Conventional 35.8mm — 28mm Wide-Angle

View from above



The 28mm Wide-Angle fits more people and background into the frame. This is useful when shooting in narrow spaces where the cameraperson cannot move back.

21x Optical Zoom/ 50x Intelligent Zoom

Optical 21x Zoom Intelligent 50x Zoom



21x Optical Zoom

50x Intelligent Zoom

Powerful 21x optical/50x super-high-resolution zoom for shooting scenes that you can't get close to. Intelligent resolution technology lets you shoot at high zoom rates while preserving the image resolution.

Easy Saving



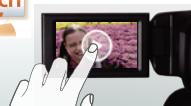
Image data from many hours of shooting can easily be backed up in an external portable HDD.

When the AC adaptor is not connected to this unit, the external drive cannot be used.

Others

3.0-type touch-panel LCD 460,800 dots

Smart Touch



New high-performance stereo microphone (included)



Eye-Fi™ compatible

By using the Eye-Fi™ card, you can save files recorded on a card to a PC or file-sharing site via a wireless network.

Optional Accessories

As of September, 2013

Stereo Microphone

VW-VMS10

Plug-in Power (Stereo mini plug)

- Wind Jammer
- Pouch



Wide Conversion Lens

VW-W4907H

Diameter 49mm/46mm, HD compatible



Battery Pack

CGA-D54

7.2V 5400mAh



Filter Kit

VW-LF49N

Lens Diameter 49mm

- ND Filter
- MC Protector
- Lens Cap



LED video light

VW-LED1



SPECIFICATIONS

As of September, 2013

GENERAL	
Power Supply	DC7.2V/9.3V
Power Consumption	Max. 6.7W [Recording], 10.7W [Charging]
Weight (w/o Battery)	approx. 2,270g [5.00lb]
Dimensions (W x H x D)	205 x 217 x 479 mm [8.07 inches x 8.54 inches x 18.85 inches]
Media	SD/SDHC/SDXC Memory Card
IMAGE SENSOR	
Image Sensor	1/4.5-type MOS
Effective Pixels	Motion Image 3.11 megapixels [Wide] [4:3] 4.14 megapixels [Wide] [16:9] [* with Level Shot off]
	Still Image 3.24 megapixels [Wide] [3:2] 4.14 megapixels [Wide] [16:9] 3.24 megapixels [Wide] [4:3]
CAMERA SECTION	
Standard Illumination	1,400 lx
Minimum Illumination	2.0 lx [Low Light scene mode] 1 lx [Color Night View]
Image Stabilizer	HYBRID O.I.S. + [Optical Image Stabilizer]/Level Shot
Focus	Auto/Manual
White Balance	Auto/Indoor1/Indoor2/Sunny/Cloudy/White set
Shutter Speed	Motion Image [AG-AC8P/PJ] Auto Slow shutter ON: 1/30-1/8000 OFF: 1/60-1/8000 [AG-AC8EJ] Auto Slow shutter ON: 1/25-1/8000 OFF: 1/50-1/8000
	Still Image 1/2-1/2000
Iris	Auto/Manual
Backlight Compensation	Yes

LENS SECTION	
Lens Brand	Panasonic Lens
F Value	F1.8 [WIDE]/F3.5 [TELE]
Optical Zoom	21x
Intelligent Zoom OFF	26x
Intelligent Zoom	50x
Digital Zoom	60x/1500x (The maximum value of zoom magnification)
Focal Length	2.82-59.2mm
35mm Film Camera Equivalent	[Motion Image] 28.0-729.6mm [16:9], 36.2-893.0mm [4:3] [* with Level Shot off] [Still Image] 33.2-697.6mm [3:2], 28.0-729.6mm [16:9], 33.9-712.6mm [4:3]

MONITOR	
EVF	Yes
LCD	7.5cm [3 inches] Wide LCD [460,800 dots]

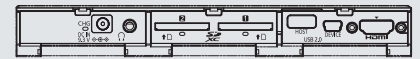
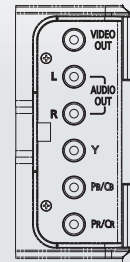
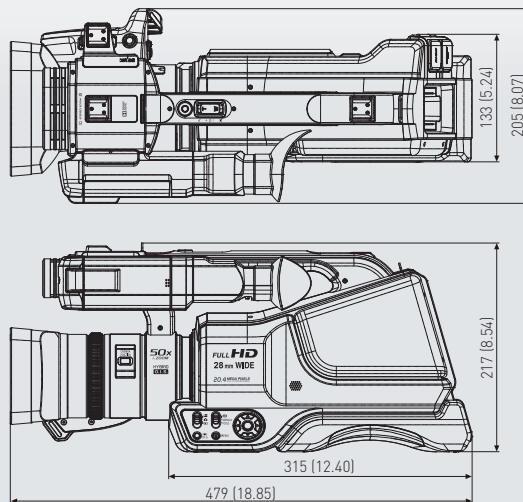
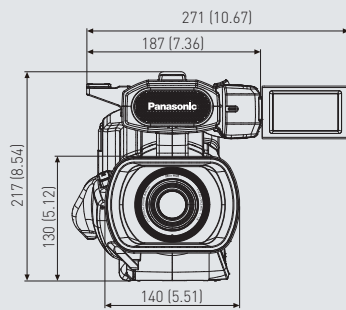
STILL IMAGE SECTION	
Recording Format	JPEG
Recording Image Size	Still Picture 20.4 megapixels [6016 x 3384] [16:9] 15.1 megapixels [4480 x 3360] [4:3] 15.1 megapixels [4752 x 3168] [3:2]
	Simultaneous Recording 9.4 megapixels [4096 x 2304] [16:9] 1.4 megapixels [1440 x 1080] [4:3]

RECORDING SECTION	
Signal System	[AG-AC8P/PJ] 1080/60i, 480/60i [AG-AC8EJ] 1080/50i, 576/50i
Compression	AVCHD/MPEG4-AVC/H.264 [AVCHD standard compliant]
Recording/ Playback Mode	[AG-AC8P/PJ] 1080/60p [Max. 28Mbps/VBR], [1920x1080/60p] PH [Max. 24Mbps/VBR], [1920x1080/60i] HA [Ave. 17Mbps/VBR], [1920x1080/60i] HG [Ave. 13Mbps/VBR], [1920x1080/60i] HE [Ave. 5Mbps/VBR], [1440x1080/60i] PM [Ave. 8Mbps/VBR], [1280x720/60p] SA [Ave. 9Mbps/VBR], [720x480/60i] [AG-AC8EJ] 1080/50p [Max. 28Mbps/VBR], [1920x1080/50p] PH [Max. 24Mbps/VBR], [1920x1080/50i] HA [Ave. 17Mbps/VBR], [1920x1080/50i] HG [Ave. 13Mbps/VBR], [1920x1080/50i] HE [Ave. 5Mbps/VBR], [1440x1080/50i] PM [Ave. 8Mbps/VBR], [1280x720/50p] SA [Ave. 9Mbps/VBR], [720x576/50i]
Audio Compression	Dolby Digital [2ch]
Microphone	2ch Stereo Microphone
Speaker	Dynamic Type
Media Remaining Indication	Yes

•Weight and dimensions shown are approximate. •Design, functions, and specifications are subject to change without notice. •All monitor and TV pictures are simulated. •You are not allowed to reproduce (copy), or transfer to a network, any part of the software applications supplied with this product for commercial purposes without written authorization. •Panasonic will in no way be liable for any damages sustained directly or indirectly from the use of this product or from any trouble occurring therein. •Panasonic will also in no way be liable for any losses of data caused by this product. •SDXC Logo is trademark. •Other names of systems and products mentioned in this brochure are generally the registered trademarks or trademarks of the manufacturers who developed the system or product concerned. •All other company and product names are trademarks of their respective corporations. •"Dolby" and the double-D symbol are registered trademarks of Dolby Laboratories. •"AVCHD" and the "AVCHD" Logo are trademarks of Panasonic Corporation and Sony Corporation.

DIMENSIONS

Unit : mm (inches)



Please refer to the latest Non-linear compatibility information, AVCHD support, download and service information, etc. at the following Panasonic web site.



<http://pro-av.panasonic.net/>

Panasonic®

Panasonic Corporation
Business Solutions Business Group
2-15 Matsuba-cho, Kadoma,
Osaka 571-8503
Japan
<http://pro-av.panasonic.net/>

SP-AC8PE1

[Countries and Regions]

Argentina	+54 1 308 1610	Panama	+507 229 2955
Belgium	+32 (0) 2 481 04 57	Peru	+51 1 614 0000
Canada	+1 905 624 5010	Poland	+48 (22) 338 1100
Czech Republic	+421 (0) 903 447 757	Portugal	+351 21 425 77 04
Denmark	+45 43 20 08 57	Puerto Rico	+1 787 750 4300
Finland, Latvia, Lithuania, Estonia	+358 (9) 521 52 53	Romania, Albania, Bulgaria, Macedonia	+40 (0) 729 164 387
France	+33 (0) 1 47 91 64 00	Russia & CIS	+7 495 6654205
Germany, Austria, Switzerland	+49 (0) 611 235 459	Slovak Republic, Croatia, Serbia, Bosnia, Montenegro, Slovenia	+421 (0) 903 447 757
Greece	+30 210 96 92 300	Spain	+34 (93) 425 93 00
Hungary	+36 (1) 382 60 60	Sweden	+46 (8) 680 26 41
Italy	+39 02 6788 367	Turkey	+90 216 578 3700
Kazakhstan	+7 727 298 0891	U.K.	+44(0)1344 70 69 13
Mexico	+52 55 5488 1000	U.S.A.	+1 877 803 8492
Netherlands	+31 73 64 02 577		
Norway	+47 67 91 78 00		



JQA-0443



Factories of Business Solutions Business Group have received ISO14001:2004-the Environmental Management System certification. (Except for 3rd party's peripherals.)

25K201309PP-1 Printed in Japan