



CFCDS20VM01/CF-CDS20VM02

Features

- Designed by Panasonic specifically for the Toughbook CF-20 notebook model
- Universal mounting system with 75mm VESA mounting plate as standard
- Designed to meet, and tested to MIL-STD-810G test criteria
- Device can be fully secured in storage mode or in convertible mode*
- Ergonomically designed for in-vehicle use
- Keyboard can be secured when docked in notebook mode
- Polycarbonate ABS and aluminium construction for reduced weight and long-term durability
- Tablet removable when keyboard base is docked
- Full port replication: 16V DC-IN; 1 x LAN; 1 x HDMI**; 1 x VGA**; 1 x Serial; 2 x USB 3.0
- Docking mechanism tested to 30,000 cycles [not limited to]
- Optional dual antenna pass-through [TNC]
- Non-electronic versions available
- 1 year standard warranty

PANASONIC VEHICLE DOCK FOR TOUGHBOOK CF-20

A ruggedised docking solution for the Toughbook CF-20 notebook, specifically designed and developed for in-vehicle applications, offering full port replication and optional dual antenna pass-through. A secondary locking arm acts as an additional securing mechanism for the CF-20 while docked. The dock allows the CF-20 to be secured in notebook mode or in convertible mode* for access to job routing, GPS software and other critical applications.

*Convertible mode not possible with full gadget configuration option

**VGA and HDMI can be used simultaneously

1.866.413.3099
business.panasonic.ca

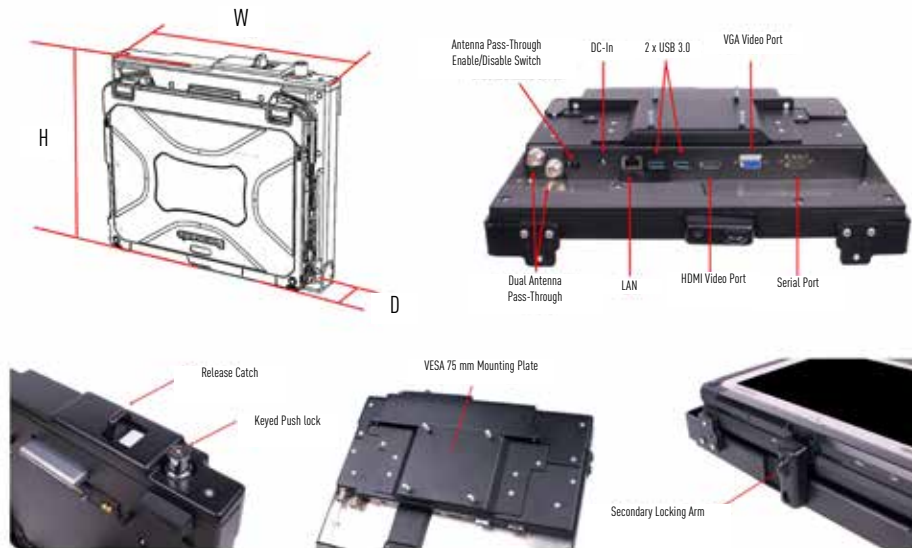
TOUGHBOOK



VEHICLE DOCK FOR TOUGHBOOK 20

A ruggedised, proprietary docking solution for the Toughbook CF-20 notebook with full port replication, optional antenna pass-through and slim, ergonomic design.

Model Number :	CF-CDS20VM01	CF-CDS20VM02
Antenna Pass-Through	Yes	No
Lock Type	Keyed Alike	Keyed Alike
Power Input	DC-16V	
LAN	1 x RJ45	
USB	2 x USB 3.0	
Serial	1 x	
VGA	1 x	
HDMI	1 x	
Headphone	—	
Microphone	—	
Dimensions		
Width	11.42" [290 mm]	
Height	10.91" [277 mm]	
Depth	75 mm [2.95"] including device in storage mode	
Weight	3.75 lb [1.7 kg]	
Warranty	1 year standard warranty, extended options available	
Configurations not supported :	None	
Non Electronic Version?	Yes CF-COS10VM05 [Keyed alike]	



CERTIFICATIONS AND TESTING:

- Tested to MIL-STD-810G test criteria
- Europe: EMC Automotive CE [EN50498]; Product Safety [EN60950]; Reg. 17 Impact Test
- Test USA: EMC FCC; Product Safety [EN], SAE J1455 [Covered in Reg. 17 Impact Test above]
- Australia | New Zealand : EMC RCM
- Japan: EMC VCCI
- Rest of World : CB Certification [Product Safety]

1.866.413.3099

business.panasonic.ca

Panasonic is constantly enhancing product specifications and accessories. Specifications subject to change without notice. Trademarks are property of their respective owners.
©2015 Panasonic Corporation of North America. All rights reserved. Toughbook CF-20 Spec Sheet_11/15

TOUGHBOOK