

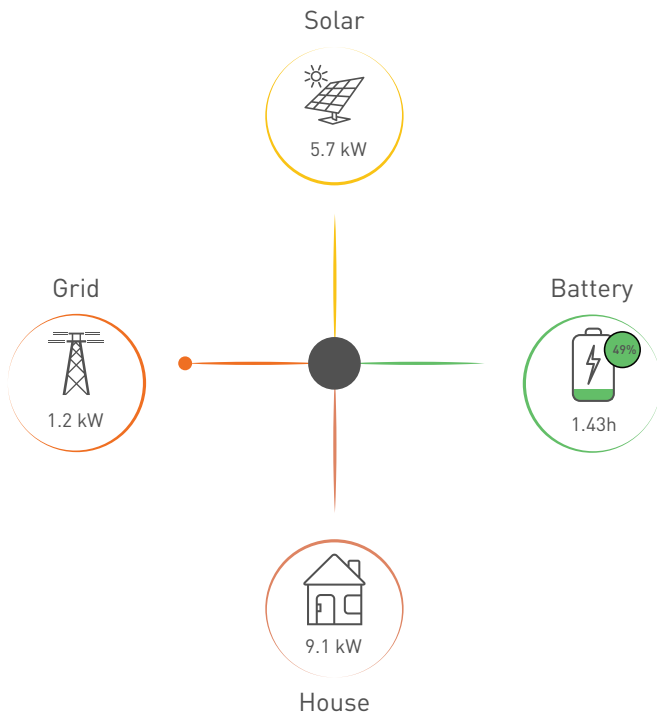
EVAC-105 / EVDC-105 ENERGY STORAGE

EVERVOLT™ HOME ENERGY STORAGE SYSTEM

Optimize your solar investment and create a more resilient energy future. With EverVolt you can store your excess solar power for when you need it most or sell your surplus energy back to your local utility.

FEATURES

- Modular design with storage options from 11-102kWh to fit your needs*
- User friendly app to easily see your system's performance
- Multiple operating modes
- Three main components for simple installation
- Master shutdown switch
- 10-year Panasonic warranty



*Up to 34 kWh per EverVolt using two battery enclosures. Up to 102 kWh maximum energy storage when stacking systems.

EVAC-105 / EVDC-105 ENERGY STORAGE

MODEL INFORMATION

Size	Standard	Plus
AC Coupled Model #	EVAC-105-4	EVAC-105-6
DC Coupled Model #	EVDC-105-4	EVDC-105-6
Usable Energy ¹	11.4 kWh	17.1 kWh
Continuous Output Power to Loads	4.6 kW	5.5 kW
Maximum Output Power to Grid	5.0 kW	5.0 kW
Average Backup Capability ²	6 hours	9 hours

¹measured at battery cell level

ELECTRICAL SPECIFICATIONS

	Off-Grid/Backup	With Grid Support (self-supply/TOU)
Inverter Maximum Output Power to Grid	--	5.0 kW
Inverter Continuous Output Power to Loads ²	5.5 kW	7.0 kW
Inverter Peak Output Power to Loads [40s/30s/5s/1s]	5.5/--/6.5/7.5 kW	--/7.5/--/-- kW
Rated Continuous Output Current (RMS)	23A @120V / 240V	29A @120V / 240V
Nominal AC Voltage	120V / 240V	
Grid Frequency (auto sensing)	50Hz / 60Hz	
Operating Voltage Range (DC Coupled Only)	120 - 500 VDC	
MPPT Voltage Range (DC Coupled Only)	250 - 430 VDC	
Maximum PV Array Input (DC Coupled Only)	6.5 kW DC	
Nominal DC Battery Voltage	46.2V	
Roundtrip Efficiency (AC Coupled / DC Coupled)	86% / 90%	

²Up to 21 kW continuous power available to loads with grid support when stacking systems.

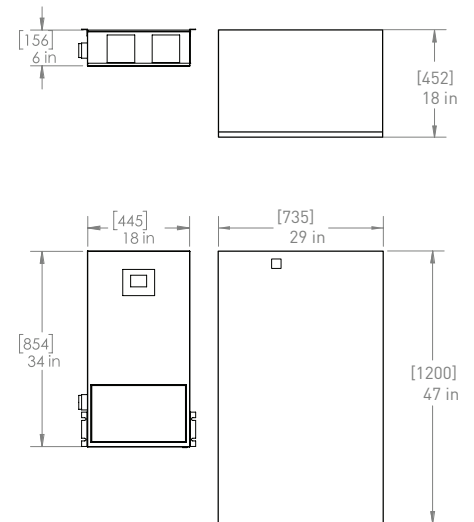
MECHANICAL SPECIFICATIONS

Inverter Dimensions (HxWxD)	AC Coupled	33.7 x 18.0 x 6.0 in [856 x 455 x 150 mm]
	DC Coupled	39 x 17.6 x 5.9 in [990 x 448 x 150 mm]
Battery Cabinet Dimensions (HxWxD)	29 x 47 x 18 in [735 x 1200 x 452]	
Inverter Weight	AC Coupled	74.0 lbs [33.6 kg]
	DC Coupled	86.8 lbs [39.4 kg]
Battery Cabinet Weight	101 lbs [45.8 kg]	
Battery Module Weight (each)	55 lbs [25 kg]	
Protection Rating	IP20 (Indoor Only)	
Mounting	Floor	
Operating Temperature (charge)	41°F to 131°F [5°C to 55°C]	
Operating Temperature (discharge)	32°F to 122°F [0°C to 50°C]	
Storage Temperature	-13°F to 158°F [-25°C to 70°C]	
Max Altitude	9843 ft. [3000 m]	
Noise Level	< 63 dB	

GENERAL SPECIFICATIONS

	Standard	Plus
Certifications	UL 1741, UL 1741 CRD PCS, UL 1741SA, UL 1973, UL 1642, CSA C22.2, IEEE 1547A, IEEE 1547.1, FCC Class B, UL 9540 (pending)	
Warranty	10 years	
Energy Throughput Warranty	30.2 MWh	45.3 MWh

DIMENSIONS



*Based on average residential electricity consumption for 2017 (<https://www.eia.gov/tools/faqs/>). Consult your Panasonic Authorized Installer for a custom site analysis, as electricity consumption can vary widely based on home size, climate, and the number of energy intensive appliances such as air conditioners and EV chargers.