

Split System Submittal Data

System: **26PET2U6** Indoor: **S-26PT2U6** Outdoor: **U-26PE1U6**
 Single Zone Heat Pump- Wall Mounted

Job Name: _____
 Location: _____
 Engineer: _____
 Submitted to: _____
 Submitted by: _____
 Reference: _____

Approval: _____
 Date: _____
 Construction: _____
 Unit#: _____
 Drawing#: _____

Rated Conditions	
Indoor	Outdoor
80°F DB / 67°F WB	95°F DB / 75°F WB
70°F DB / 60°F WB	47°F DB / 43°F WB
70°F DB / 60°F WB	17°F DB / 15°F WB

General Data	
Power (V/P/Hz)	230/208/1/60
Circuit Ampacity (A)	15-30 Indoor-Outdoor
Fuse Size, Max. (A)	15-30 Indoor-Outdoor
Compressor	DC Rotary Inverter
No. Used	1
R.L. Amps - L.R. (A)	12.9 - 17.5

Outdoor Unit	
Fan type	Propeller
No. used	1
Dia & Length (in.)	18-7/64
Type Drive - No. Speeds	DC Motor-Variable
No. Poles (RPM)	8 - 800
No. Motors (W)	1 - 90
CFM (High)	1,766
F.L. Amps (A)	14.4
Coil Type	Aluminum Fin & Copper Pipe
Fin Type - Pipe Type	Slit Plate - Inner Rifled
Rows - F.P.I.	1 - 15.9
Face Area (sq.ft.)	7.26
Tube Size (in)	3/8"

Indoor Unit	
Fan Type	Sirocco Fan
No. used	3
Fan (diameter) in.	5-26/32"
No. Speeds	3 & Auto
No. Poles (RPM, High)	8P - 970
No. Motors (W)	DC 1-74
CFM (Hi/Med/Lo)	742/636/547
Indoor Sound Rating (Hi) (dB-A)	39
F.L. Amps (A)	0.44



Coil Type	Aluminum Plate Fin & Copper Tube
Fin Type - Pipe Type	Slit Plate - Inner Rifled
Rows - Fins per inch	3 - 1 / 16"
Face Area (sq. ft.)	3.65
Tube Size (in.)	9/32"
Drain Connection Size (in.)	1-1/4"
Refrigerant	R410A
Lbs. - R410a	4.2
Control	Electric Expansion Valve
Connection	Flare
Line Length, Max (ft.)	165
Line Difference, Max (ft.)	50 (outdoor lower), 100 (outdoor higher)
Line Size (in. O.D. Discharge)	3/8"
Line Size (in. O.D. Suction)	5/8"
Dimensions (HxWxD)	
Indoor Unit (Uncrated) (in.)	9-1/4 x 50-13/64 x 27-11/64
Outdoor Unit (Uncrated) (in.)	30-23/32 x 37 x 13 3/8
Weight (lbs.)	
{Indoor} Net	73
{Outdoor} Net	128

Performance Data @ ARI Standard Conditions (230/208V)

Cooling	
Total Capacity (BTU/H)	24,000 (9,500 - 24,000)
Sensible Capacity (BTU/H)	16,800
Latent Capacity (BTU/H)	7,200
SEER	16.8
Dehumidification (Pints/H)	5.3
Amps (A)	14.4/15.9
Power Inputs (W)	2,700/2,700
Outdoor Sound Rating (dB-A) High	49
Heating	
High Heating @47°	27,000
Low Heating @17°	13,200
Total Capacity (BTU/H)	27,000 (8,000 - 27,000)
HSPF	9.4
Amps (A)	12.9/14.3
Power Inputs (W)	2,430/2,430
Back-up Strip Heater (KW)	N/A
Outdoor Sound Rating (dB-A) High	49

Features

Controls	Microprocessor
Remote Controller	Remote Purchased Separately
Temperature Control	Thermostat
Timer	24 Hr. Program
Night Setback	N/A
Air Louver, Horizontal	Manual
Air Louver, Vertical	Automatic
Power Failure Automatic Restart	Built-In
Heating/Cooling Automatic Changeover	Built-In
Self-Diagnosis	Built-In
Air Filter	Washable, Anti-Mold

Options

Refrigerant Line Set	Available
Fresh Air Intake	N/A
Econavi Available With Use Of	CZ-RTC3,4,5 & CZ-CENCS1
Indoor Frame Extension	N/A
Condensate Drain Pump	Optional Accessory
Non-Removeable Remo-con Bracket	Available

Operating Range

Operating Range	Indoor Air Intake Temp	Outdoor Air Intake Temp
Cooling (Max)	95F DB/71F WB	115F DB
Cooling (Min)	67 DB/57F WB	0F DB (No Lockout)
Heating (Max)	80F DB/67F WB	75F DB/65F WB
Heating (Min)	-DB/-WB	(-4)F DB (No Lockout)



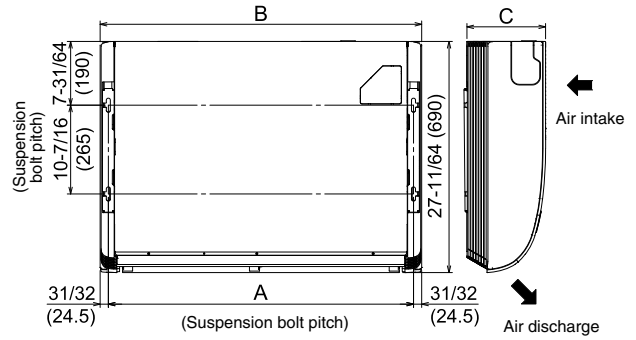
Indoor Dimensions

Indoor Unit : Ceiling (Type T2)

■ Required Minimum Space for Installation and Service

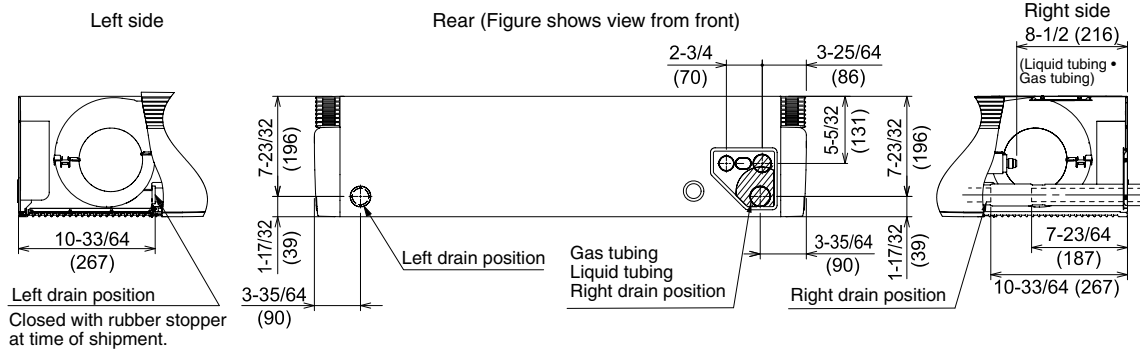
Dimensions of suspension bolt pitch and unit

Type	Length	A	B	C
		inch	48-17/64	50-13/64
26	mm	1226	1275	235
	inch	62-43/64	62-19/32	9-1/4
36, 42	mm	1541	1590	235



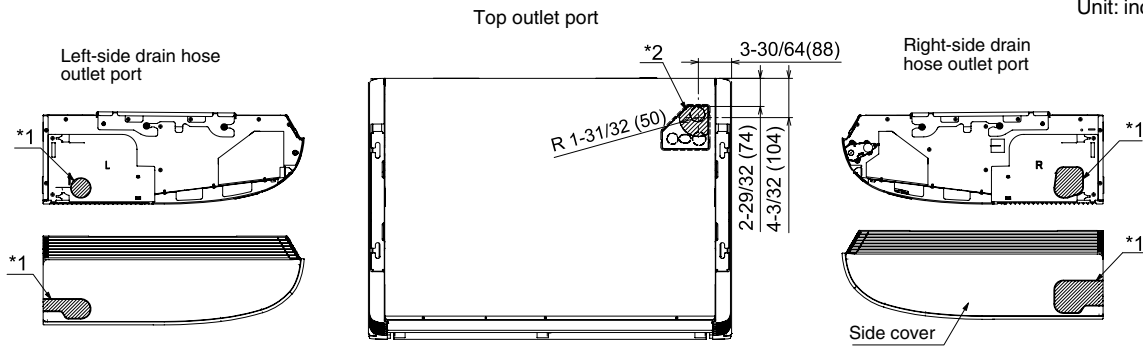
Refrigerant tubing • drain hose position

Unit: inch (mm)

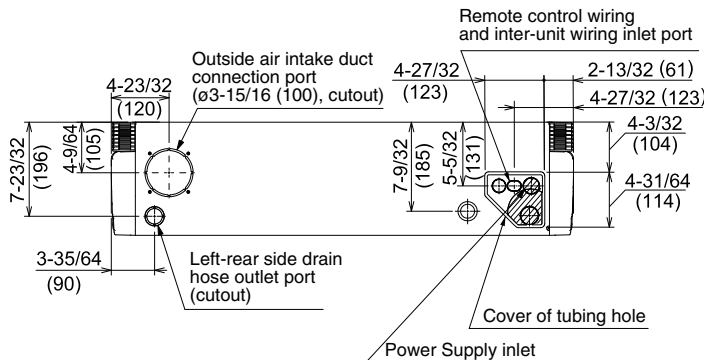


Unit opening position (Refrigerant tubing • drain hose • power inlet port • remote control wiring inlet port)

Unit: inch (mm)



Rear outlet port (Figure shows view from front)



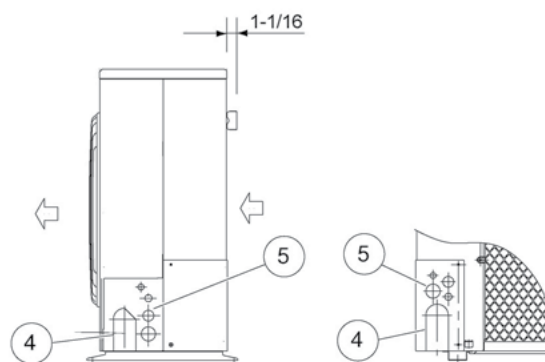
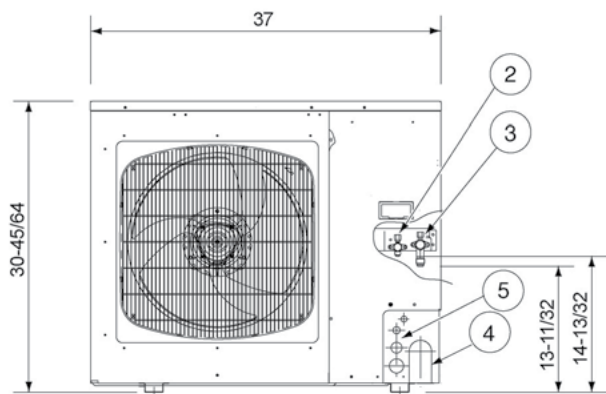
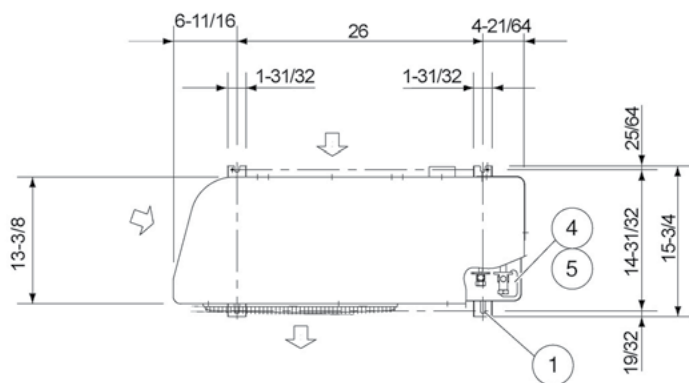
- *1 Use a compass saw, jig saw or similar tool and cut along the indented portion of the side cover and make a hole inside the cover.
- *2 When pulling the refrigerant tubing from the upper side, cut along the indented portion and pass the tubing through the hole.

NOTE

Be sure to use sealing putty to seal off the opening to prevent dust.



Outdoor Dimensions



Dimension: inch

①	Hole for anchor bolt (4-R6.5) / Anchor bolt: M10
②	Refrigerant tube joint (liquid line tube) • Flare connection 3/8 in (9.52 mm)
③	Refrigerant tube joint (gas line tube) • Flare connection 5/8 in (15.88 mm)
④	Refrigerant tubing inlet (knock-out hole)
⑤	Power supply inlet (knock-out hole $\phi 38$, $\phi 29$, $\phi 19$, $\phi 16$ mm)

