

# Specification Submittal Data

## Panasonic Radiation Damper for Ventilation Fans

**Description:**

Radiation damper shall be assembled with select ENERGY STAR® rated ventilation fans, fan/lights and fans with motion/condensation sensors. Damper shall be UL and cUL listed for T-bar, hanger rod/wire ceiling installation and exceed UL 555C for use in 3-hour fire rated floor/ceiling or roof/ceiling assemblies. Radiation damper shall be Warnock-Hersey certified for use in non-combustible floor/ceiling and roof/ceiling assemblies. Damper shall exceed National Fire Protection Agency NFPA-90A.

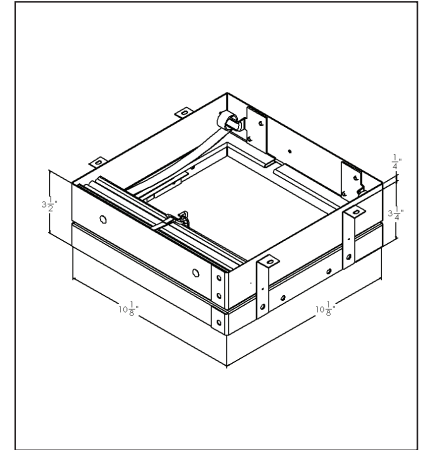
**Features:**

- UL listed and exceeds UL 555C for use in a 1, 2, or 3 hour fire-rated floor-ceiling and roof ceiling designs.
- 165 degree Fahrenheit fusible link.
- High-temperature, non-asbestos, reinforced fiber thermal fabric.
- Galvanized steel frame.

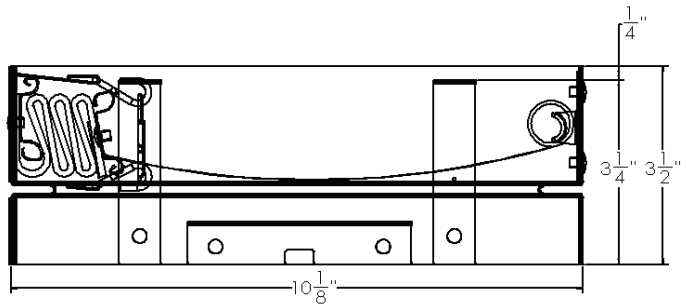
**UL listed assembly with Panasonic ENERGY STAR models:**

- WhisperGreen Select™
- WhisperCeiling 50, 80, 110 & 150 CFM\*
- WhisperLite™
- WhisperSense™
- WhisperSense-Lite™
- WhisperWelcome™
- WhisperFit™
- WhisperFit Lite™
- WhisperValue™
- WhisperValue Lite™

\* Does not include the 190, 290 or 390 CFM WhisperCeiling since the housing frame opening is too large for the radiation damper.



PC-RD05C4



File #: 3225-1598:100



File #: WHI-495-PSH-0177, -0178



File #: R16724

For complete Installation Instructions visit [us.panasonic.com/ventfans](http://us.panasonic.com/ventfans)

Model	Quantity	Comments	Project:
			Location:
			Architect:
			Engineer:
			Contractor:
			Submitted by:
			Date: