

Specification Submittal Data / Panasonic Ventilation Fan/Light

Description:

Ventilating fan/light shall be low sone ceiling mount rated for continuous operation. Fan shall be ENERGY STAR® certified by the Home Ventilating Institute (HVI). Evaluated by the Underwriters Laboratories and conform to UL / cUL standards.

Motor/Blower:

- Four-pole totally enclosed condenser ECM motor rated for continuous use.
- Fan ventilation rates shall be manually adjustable for 50, 80, or 110 CFM.
- Power Rating shall be 120 volts and 60 Hz.
- Fan shall be UL / cUL listed for tub/shower enclosure when GFCI protected.
- Motor equipped with thermal cutoff fuse.
- Removable, permanently lubricated, plug-in motor.
- ECM Motor with SmartFlow Technology

Housing:

- Rust proof epoxy and polyester resin coating, 26 gauge galvanized steel body.
- 4" diameter duct with optional 3" adapter included.
- Built in backdraft damper.
- Articulating and expandable extension bracket up to 24".

Grille:

- Attractive design using Poly Pro material.
- Attaches directly to housing with torsion springs.

Ceiling Radiation Damper:

- WhisperFit™ DC is UL / cUL listed for use with the Panasonic Ceiling Radiation Damper (Model #: PC - RD05C5, sold separately).

Light:

- One 10 Watt dimmable LED Chip Panel/3000 Kelvin Warm White
- <1W LED night light
- ENERGY STAR® certified

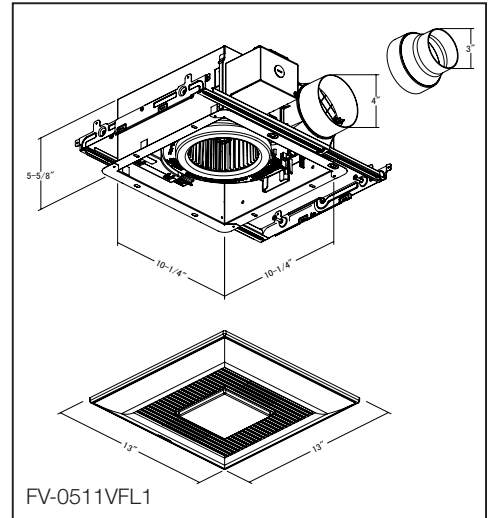
Warranty:

- LED: 5 Years from original purchase date.
- All Other Parts: 3 years from original purchase date.

Architectural Specifications:

Customizable ceiling mount ventilation fan with light, ENERGY STAR® certified with built-in speed selector. Select from 50/80/110 CFM with <0.3/<0.3/0.4 sones as certified by the Home Ventilating Institute (HVI) at 0.1 w.g. with 50/80/110 CFM and no more than 0.4/0.7/1.3 sones at 0.25 w.g. and 52/83/100 CFM at 0.375 w.g. Power Consumption shall be no greater than 4.2/6.6/11.0 watts at 0.1 w.g. and 7.4/10.4/15.0 watts at 0.25 w.g. and 10.0/13.8/16.4 watts at 0.375 w.g. ENERGY STAR® certified with efficiency of no less than 12.5/12.4/10.2 CFM/watt at 0.1 w.g. and 7.2/8.1/7.5 CFM/watt at 0.25 w.g. and 5.5/6.1/6.2 CFM/watt at 0.375 w.g. The motor shall be enclosed with brushless ECM motor engineered to run continuously. Power rating shall be 120v/60Hz. Housing material shall be no less than 26-gauge galvanized steel with rust proof epoxy and polyester resin coating. Duct diameter shall be no less than 4" (3" if using the included duct adapter). Fan shall be UL / cUL listed for tub shower enclosure when GFCI protected. Fan can be used to comply with ASHRAE 62.2, LEED, ENERGY STAR® IAP, EarthCraft, and California Title 24. Lamp shall be a 10W dimmable LED chip panel with <1W LED night light for warm, long-life energy efficient illumination. Night-light must be wired separately.

3" or 4" Duct



LED Lighting

Includes a 10 Watt dimmable LED chip panel/3000 Kelvin Warm White/90CRI/700 lumens/70 LPW/ ENERGY STAR® certified/JA-8 compliant for CA Title 24/50,000 hours rated average life / <1W LED night light.

| Specifications: WhisperFit™ DC FV-0511VFL1 | | 4" Duct | | | 4" Duct | | | 4" Duct | | | 3" Duct | | | 3" Duct | | | 3" Duct | | |
|---|--------------------------------|---------|------|-------|---------|------|-------|---------|------|-------|---------|------|-------|---------|------|-------|---------|------|-------|
| Ventilation Fan Characteristics (HVI-Certified Data) | Static Pressure in inches w.g. | 0.1 | 0.25 | 0.375 | 0.1 | 0.25 | 0.375 | 0.1 | 0.25 | 0.375 | 0.1 | 0.25 | 0.375 | 0.1 | 0.25 | 0.375 | 0.1 | 0.25 | 0.375 |
| | Air Volume (CFM) | 110 | 110 | 100 | 80 | 82 | 83 | 50 | 51 | 52 | 110 | 89 | 64 | 80 | 80 | 62 | 50 | 51 | 52 |
| | Noise (sones) | 1.0 | 1.3 | - | 0.3 | 0.7 | - | <0.3 | 0.4 | - | 1.5 | 1.4 | - | 0.7 | 1.3 | - | <0.3 | 0.7 | - |
| | Power Consumption (Watts) | 11.0 | 15.0 | 16.4 | 6.6 | 10.4 | 13.8 | 4.2 | 7.4 | 10.0 | 17.4 | 15.1 | 12.6 | 9.3 | 13.4 | 12.5 | 4.9 | 8.0 | 10.5 |
| | Energy Efficiency (CFM/Watt) | 10.2 | 7.5 | 6.2 | 12.4 | 8.1 | 6.1 | 12.5 | 7.2 | 5.5 | 6.4 | 6.0 | 5.1 | 8.9 | 6.2 | 5.1 | 10.8 | 6.8 | 5.2 |
| | Speed (RPM) | 999 | 1243 | 1399 | 890 | 1207 | 1400 | 833 | 1181 | 1396 | 1376 | 1431 | 1476 | 1135 | 1392 | 1481 | 907 | 1233 | 1444 |
| | Current (amps) | 0.18 | 0.25 | 0.27 | 0.12 | 0.18 | 0.22 | 0.08 | 0.13 | 0.17 | 0.28 | 0.24 | 0.21 | 0.16 | 0.22 | 0.21 | 0.09 | 0.14 | 0.18 |
| | MAX. Current (amps) | 0.28 | | | | | | | | | | | | | | | | | |
| | Power Rating (V/Hz) | 120/60 | | | | | | | | | | | | | | | | | |
| | ENERGY STAR Qualified | Yes | | | | | | | | | | | | | | | | | |

HVI and Energy Star certifications for WhisperFit® DC FV-0511VFL1 are pending

For complete Installation Instructions visit business.panasonic.ca/ventilation

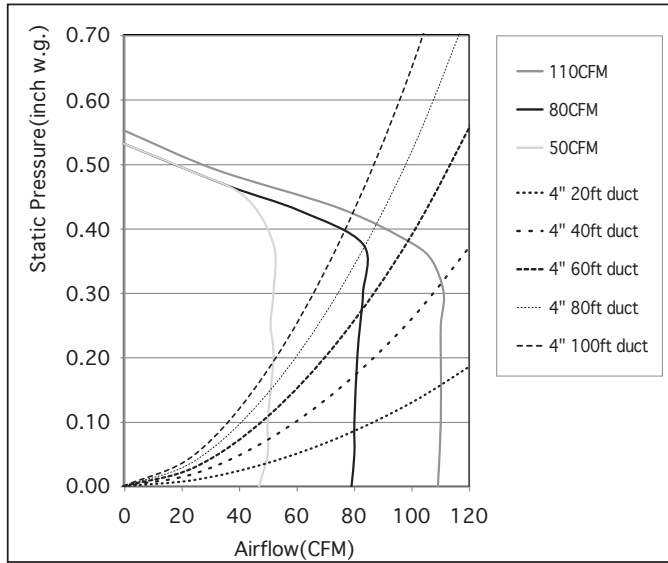
| Model | Quantity | Comments | Project: |
|-------|----------|----------|---------------|
| | | | Location: |
| | | | Architect: |
| | | | Engineer: |
| | | | Contractor: |
| | | | Submitted by: |
| | | | Date: |

Panasonic Canada Inc.
5770 Ambler Drive
Mississauga, ON
L4W 2T3

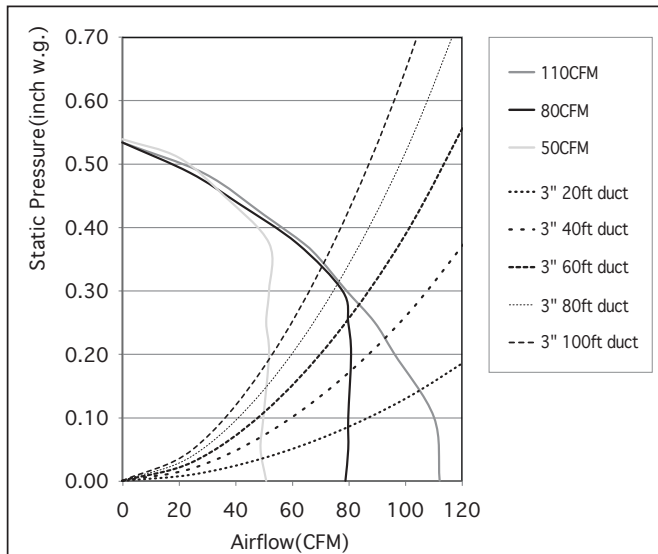
business.panasonic.ca/ventilation



Performance Curve FV-0511VFL1 - 4" Duct



Performance Curve FV-0511VFL1 - 3" Duct



| Model | Quantity | Comments | Project: |
|-------|----------|----------|---------------|
| | | | Location: |
| | | | Architect: |
| | | | Engineer: |
| | | | Contractor: |
| | | | Submitted by: |
| | | | Date: |

Panasonic Canada Inc.
 5770 Ambler Drive
 Mississauga, ON
 L4W 2T3

business.panasonic.ca/ventilation

