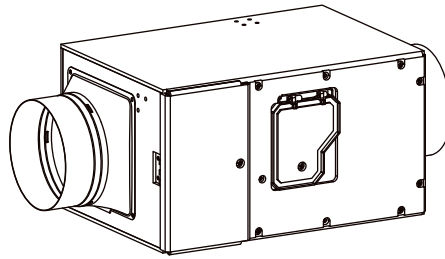


# Service Manual

In-Line Fan  
(North America Market)


FV-15NLFS1



## WARNING

This service information is designed for experienced repair technicians only and is not designed for use by the general public. It does not contain warnings or cautions to advise non-technical individuals of potential dangers in attempting to service a product. Products powered by electricity should be serviced or repaired only by experienced professional technicians. Any attempt to service or repair the product or products dealt with in this service information by anyone else could result in serious injury or death.

## IMPORTANT SAFETY NOTICE

There are special components used in this equipment which are important for safety. These parts are marked by  in the Schematic Diagrams, Exploded Views and Replacement Parts List. It is essential that these critical parts should be replaced with manufacturer's specified parts to prevent shock, fire or other hazards. Do not modify the original design without permission of manufacture. We suggest to handle such parts after the static electricity prevention. It is forbidden to touch the PCB parts by bare hands during the repairing process.

CONTENTS	PAGE
1.Specifications .....	1
2.Parts Identification.....	2
3.Wiring Diagram.....	3
4.Parts List.....	4~5
5.Troubleshooting Guide.....	6

# 1. Specifications

---

Air direction	Voltage (V)	Frequency (Hz)	Duct (inch)	Static pressure	Air volume (CFM)	Power consumption (W)	Speed (rpm)	Weight lb.(kg)
Supply	120	60	6	0.2"WG	50/50*	8/8.2*	969/989*	13.4 (6.1)
					60/60*	9/9.3*	992/1012*	
					70/70*	10/10*	1022/1033*	
					80/80*	12/12.4*	1030/1067*	
					90/90*	13/13.5*	1056/1086*	
					100/100*	15/15.3*	1101/1121*	
					110/110*	16/16.7*	1122/1152*	
					130/130*	21.5/22.6*	1202/1235*	
150/150*	27.1/27.3*	1296/1314*						

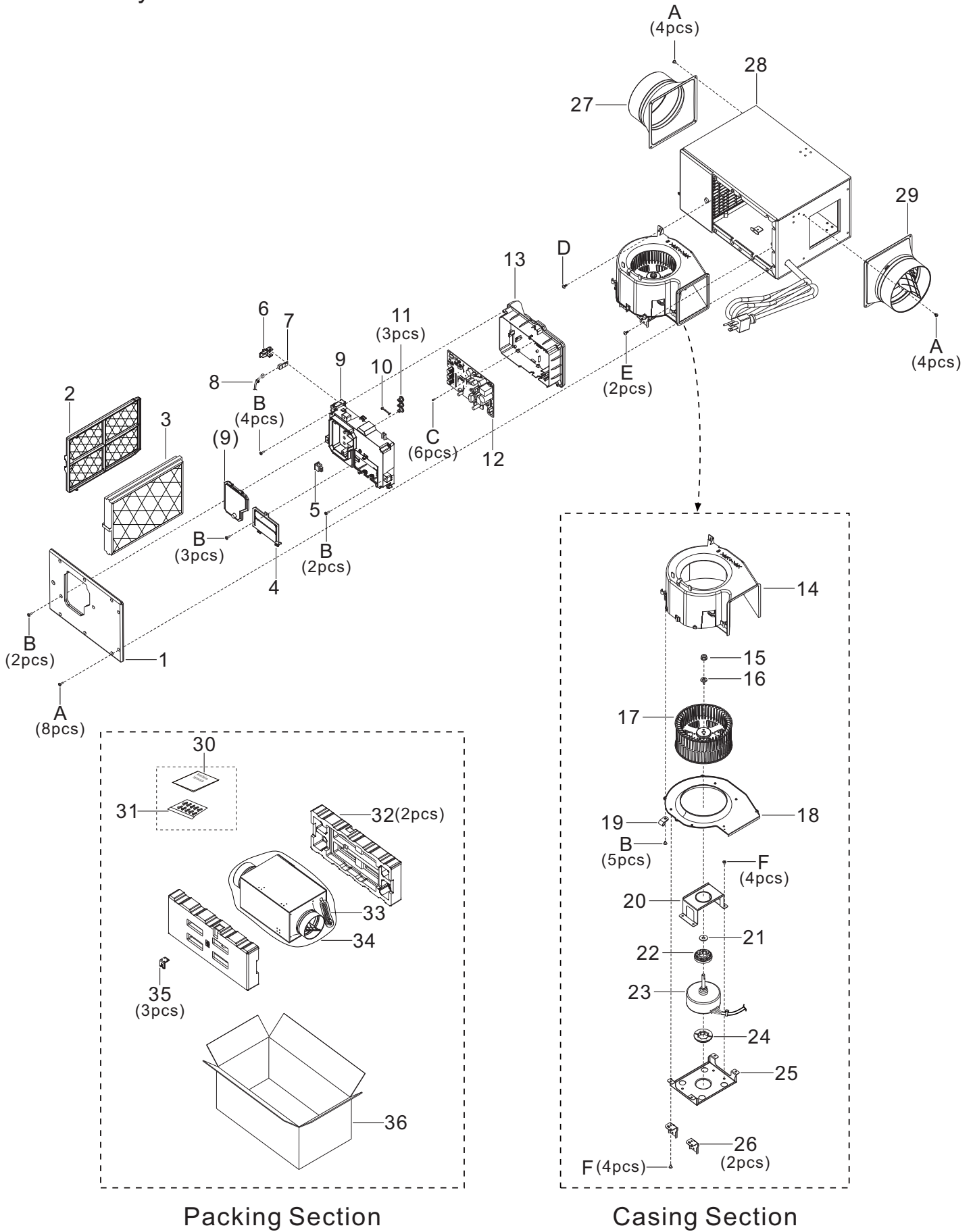
Performance based on the MERV8 filter, and data with "\*" is a reference data when using the MERV13 filter.

Air volume performance based on HVI Procedures 916 and 920.

# 2. Parts Identification

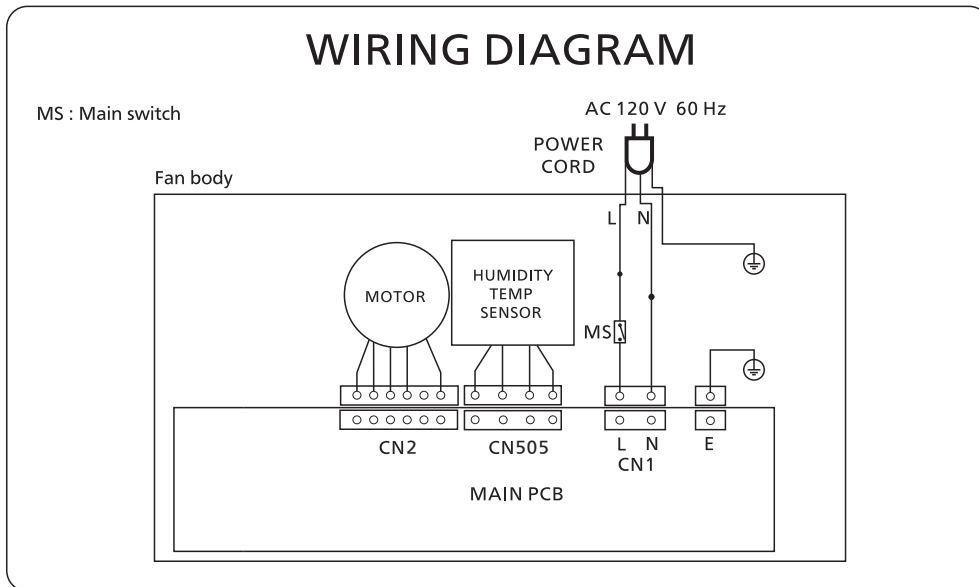
# FV-15NLFS1

## Main Body Section



# 3. Wiring Diagram

FV-15NLFS1



## 4. Parts List

FFV-15NLFS1

### Main Body Section

No.	Part No.	Part Name	Q'ty	Remark
1	FFV3700370S	Motor Panel Assy	1	
2	FFV1610087S	Pre Filter Assy	1	
3	FFV4300158S	Merv8 Filter	1	Merv 8
3	FFV4300159S	Merv13 Filter	1	Merv 13
4	FFV6710053S	Wiring Cover Assy	1	
5	FFV5580017S	Switch Assy	1	⚠
6	FFV5500042S	Sensor Cap	1	
7	FFV0010275S	Humidity Sensor	1	⚠
8	FFV5500050S	Sensor Wire Assy	1	⚠
9	FFV3740047S	Main PCB Cover Assy	1	
10	FFV5580011S	Switch Spring	1	
11	FFV5580010S	Switch Knob	3	
12	FFV3740048S	Main PCB Assy Set	1	⚠
13	FFV3740049S	PCB Box Assy	1	
14	FFV0790125S	Casing Assy	1	
15	FFV7020022S	Nut	1	
16	FFV7010055S	Washer	1	
17	FFV1610088S	Fan Unit	1	
18	FFV3700371S	Motor Holder Assy	1	
19	FFV0740020S	Cord Clip	1	
20	FFV3730129S	Motor Base	1	
21	FFV4670003S	Blade Fixed Plate	1	
22	FFV2230023S	Holder Gum(A)	1	
23	FFV3700372S	Motor Assy	1	⚠
24	FFV2230022S	Holder Gum(B)	1	
25	FFV3730127S	Motor Holder Plate	1	
26	FFV5500051S	Support Plate B	2	
27	FFV0000176S	Adapter 2	1	
28	FFV1600167S	Frame Assy	1	⚠
29	FFV0000177S	Adapter Assy	1	
30	FFV0010275S	Accessory Set	1	
31	FFV2540215S	Instruction	1	Spanish,For USA Market
31	FFV2540216S	Instruction	1	French,For CA Market
32	FFV4710438S	Corner Pad	2	
33	FFV4650038S	Poly Cover	1	
34	FFV4650040S	Poly Cover	1	

## 4. Parts List

**FV-15NLFS1**

### Main Body Section

No.	Part No.	Part Name	Q'ty	Remark
35	FFV2230012S	Fan Casing Support	3	
36	FFV9001364S	Packing Case Assy	1	
A	FFV7000018S	Truss Tap Screw	16	
B	FFV7000073S	Truss Tapping Screw	16	
C	FFV7000233S	Screw	6	
D	FFV7000124S	Truss Tap Screw	1	
E	FFV7000191S	Bind Screw	2	
F	FFV7000074S	Truss Tap Screw	8	

# 5. Troubleshooting Guide

