

Specification Data

Panasonic Ventilation Fan



FV-10NLF1 (120 CFM)

Description

Ventilating fan shall be Low Noise remote mount type rated for continuous run. Fan shall be ENERGY STAR rated and certified by the Home Ventilating Institute (HVI). Evaluated by Underwriters Laboratories and conform to both UL and cUL safety standards.

Motor/Blower:

- Four-pole totally enclosed condenser motor rated for continuous run.
- Power Rating shall be 120 volts and 60 hz.
- Fan shall be UL listed for tub/shower enclosure when used with a GFCI branch circuit wiring.
- Motor equipped with thermal-cutoff fuse.

Housing:

- Galvanized steel body for long-life.
- Insulated housing to prevent condensation and noise.
- Tapered duct adapter for easy connection.

Easy Installation:

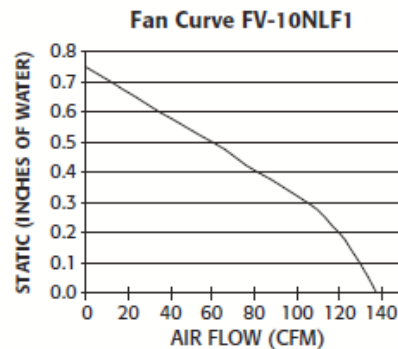
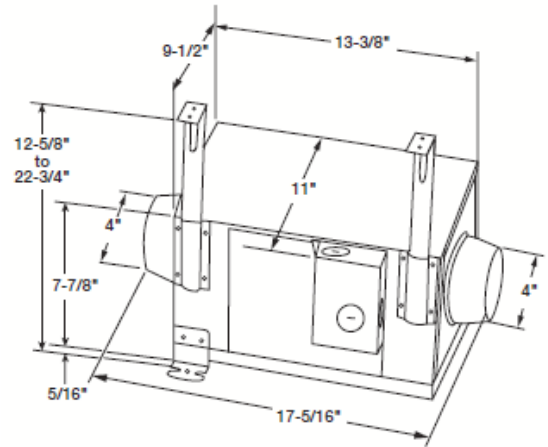
- 5 positions installation.
- Joist, truss and suspension brackets included.

Warranty:

- The factory warranty shall be a minimum of 3 years limited warranty on parts.

Typical Specifications:

Ventilating fan shall be remote mount. ENERGY STAR rated, with no less than 120 CFM as certified by the Home Ventilating Institute (HVI) at 0.2 static pressure in inches water gauge and no more than 1.0 sone as rated by manufacturer at 0.2" static pressure. Power consumption shall be no greater than 37 watts, ENERGY STAR rated and Energy Efficiency rating shall be no less than 3.3 cfm/watt. The motor shall be totally enclosed, four pole condenser type engineered to run continuously. Power rating shall be 120v/60Hz. Housing shall be insulated to reduce condensation. Duct diameter shall be no less than 4". Fan shall be UL and cUL listed for tub/shower enclosure when used with GFCI branch circuit wiring. Brackets shall be provided for joist, truss or suspension installations.



Specifications:																
Fan Model	RPM	Rated Volts	Max Watt*	Max Amps	CFM*							Max SP*	Duct Dia.	Weight (lbs)	Sones	CFM/Watt
					0"SP	.2"SP	.4"SP	.6"SP	.8"SP	1.0"SP	1.2"SP					
FV-10NLF1	1569	120	37.0	0.31	138	120	82	35				0.75	4"	14	1.0	3.3

Note: Sones were measured at factory test facility in a sound-proof room at suction side from a distance of 1.5 meters.

For Complete Installation Instructions Visit www.panasonic.ca



Model	Quantity	Comments	Project:
			Location:
			Architect:
			Engineer:
			Contractor:
			Submitted by:
			Date: