

iA H.265 360-degree Indoor Dome Camera

Panasonic WV-X4171 captures the highest quality images in even very challenging and dynamic environments.

In particular, the image of the person's face or object at the edge of the fisheye is clear with less distortion.

Intelligent Auto (iA) monitors scene dynamics and motion to adjust key camera settings automatically in real-time reducing distortion such as motion blur on moving objects. Adopting H.265 Smart Coding technology, bandwidth efficiency is intelligently increased for longer recording and less storage. Out of the box, the camera supports full data encryption streaming and is compliant to FIPS 140-2 Level 1 standards to keep your video secured.

Extreme image quality for evidence capturing under challenging conditions

- Clear and less distorted image of the person's face and objects at the edge of the fisheye
- Instant response to sudden light changes like tunnel entry and exit
- Auto Shutter speed control for fast moving objects
- Super Dynamic 108dB for backlit situations and shadows on night streets

Extreme H.265 compression with new Smart Coding

- Longer recording and less storage space compared to any H.264 based compression techniques
- New self-learning ROI* encoding (Auto VIQS) dynamically detects motion areas to keep vehicles and humans in good picture quality while lowering your bandwidth *Region of Interest

Extreme Data Security

- Full encryption SD card edge recording to keep your data safe
- FIPS 140-2 Level 1 compliant
- Full end-to-end system encryption with supported VMS and devices to protect from IP snooping/spoofing and detect data alteration

Complete with powerful analytics built-in*

- Heat map : Visualization of people's traffic pattern and staying times
- People Counting : Statistics data on the number of people entering and leaving a specific zone
- MOR (Moving Object Remover) : Monitoring of only the surrounding environment by removing people and other moving objects from video *To enable analytics, please add the optional WV-SAE200 software.

Key Features

- 9 Megapixel fisheye images up to 30 fps
- iA (intelligent Auto)
- Super Dynamic 108dB
- H.265 Smart Coding
- FIPS 140-2 Level 1 compliant

Applications

- Transportation (Airport / Subway station)
- Logistics / Factory
- Education / Hospital
- Retail / Bank
- Building



Specifications

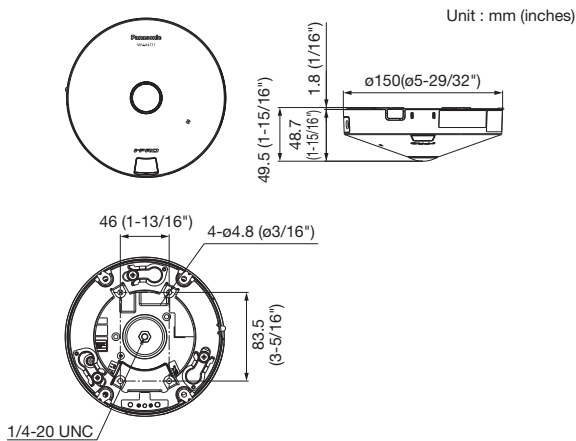
Camera	Image Sensor	Approx. 1/2 type MOS image sensor
	Minimum Illumination	Color : 0.3 lx, BW : 0.2 lx (F1.9, Maximum shutter : Off (1/30 s), AGC : 11) Color : 0.02 lx, BW : 0.01 lx (F1.9, Maximum shutter : Max. 16/30s, AGC : 11) ^{*1}
	Intelligent Auto	On / Off
	Maximum shutter	Max. 16/30s to Max. 1/10000s
	Super Dynamic ²	On / Off, the level can be set in the range of 0 to 31.
	Dynamic Range	108 dB (Super Dynamic : On, level : 31)
	Image Settings	Gain (AGC), White balance
	Image Compensation	Adaptive black stretch, Back light compensation (BLC), Fog compensation, High light compensation (HLC), Digital noise reduction
	Day / Night (Electrical)	Off / Auto
	Video Motion Detection (VMD)	On / Off, 4 areas available
	Intelligent VMD (i-VMD) ³	Type 5 *optional plug-in software WV-SAE200
	Privacy Zone	On / Off (up to 8 zones available)
	Camera Title (OSD)	On / Off Up to 20 characters (alphanumeric characters, marks)
	Fixing angle adjustment	-5°, 0°, +5°
Lens	Zoom Ratio	1x
	Digital (electronic) zoom	Choose from 3 levels of x1, x2, x4
	Focal length	1.4 mm (1/16 inches)
	Maximum Aperture Ratio	1 : 1.9
	Focus range	0.5 m (19-11/16 inches) - ∞
	Angular Field of view	Horizontal : 183° Vertical : 183°
Browser GUI	Camera Control	Brightness, AUX On / Off
	Audio	Mic (Line) Input : On / Off Volume adjustment : Low / Middle / High Audio Output : On / Off Volume adjustment : Low / Middle / High
	GUI / Setup Menu Language	English, Italian, French, German, Spanish, Portuguese, Russian, Chinese, Japanese
Network	Network IF	10Base-T / 100Base-TX, RJ45 connector
	Resolution	<Ceiling> <Wall>
		<ul style="list-style-type: none"> •Fisheye mode (max.30 fps) 2992×2992 / 2192×2192 / 1280×1280 / 640×640 / 320×320 •Quad PTZ mode (max.15 fps), Single PTZ mode (max.15 fps) 2560×1920 / 2048×1536 / 1600×1200 / 1280×960 / 800×600 / VGA / QVGA •Double Panorama mode (max. 15 fps) 2560×1440 / 1920×1080 / 1280×720 / 640×360 / 320×180 •Fisheye + Double Panorama mode (max. 15 fps) (Fisheye) 2992×2992 / 2192×2192 / 1280×1280 / 640×640 / 320×320 (Double Panorama) 1280×720 / 640×360 / 320×180 •Fisheye + Quad PTZ mode (max. 15 fps) (Fisheye) 2992×2992 / 2192×2192 / 1280×1280 / 640×640 / 320×320 (Quad PTZ) 1280×960 / 800×600 / VGA / QVGA •Quad streams mode (Single PTZ (Quad streams)) 1280×960 / 800×600 / VGA / QVGA (max. 15 fps) (Quad PTZ) 2560×1920 / 2048×1536 / 1600×1200 / 1280×960 / 800×600 / VGA / QVGA (max. 5 fps)
		<ul style="list-style-type: none"> •Panorama mode (max. 15 fps) 2560×1440 / 1920×1080 / 1280×720 / 640×360 / 320×180 •Fisheye + Panorama mode (max. 15 fps) (Fisheye) 2992×2992 / 2192×2192 / 1280×1280 / 640×640 / 320×320 (Panorama) 1280×720 / 640×360 / 320×180

*1 Converted value
*2 When "On" is selected for "Super Dynamic(SD)", the frame rate is restricted to a maximum of 15fps.
*3 Auto VIQS, i-VMD, can not be used at the same time.

Network	H.265/ H.264 ⁴	Transmission Mode	Constant bit rate / VBR / Frame rate / Best effort
	JPEG	Transmission Type	Unicast / Multicast
	Smart Coding	Image Quality	10 steps
	Audio Compression		GOP (Group of pictures) control : On (Frame rate control) / On (Advanced)* / On (Low) / On (Mid) / Off *On (Frame rate control) and On (Advanced) are only available with H.265. Auto VIQS : On / Off
	Supported Protocol		G.726 (ADPCM) : 16 kbps / 32 kbps G.711 : 64 kbps AAC-LC ⁵ : 64 kbps / 96 kbps / 128 kbps
	Maximum concurrent access number		Up to 14 users (Depends on network conditions)
	SDXC/SDHC/SD Memory Card (Option)		H.265 / H.264 recording : Manual REC / Alarm REC (Pre/Post) / Schedule REC / Backup upon network failure JPEG recording : Manual REC / Alarm REC (Pre/Post) / Backup upon network failure Compatible SDXC/SDHC/SD card : Panasonic 2 GB, 4 GB*, 8 GB*, 16 GB*, 32 GB*, 64 GB**, 128 GB**, 256 GB** model *SDHC card, ** SDXC card (except miniSD card and microSD card)
	Mobile Terminal Compatibility		iPad, iPhone, Android™ mobile terminals
	Alarm Source		3 terminals input, VMD, Command alarm
	Alarm Actions		SDXC/SDHC/SD memory recording, E-mail notification, HTTP alarm notification, Indication on browser, FTP image transfer, Panasonic alarm protocol output
Input/ Output	Monitor output (for adjustment)		VBS : 1.0 V [p-p] / 75 Ω, composite, ø3.5 mm mini jack An NTSC or PAL signal can be outputted from camera
	Audio Input For microphone		ø3.5 mm stereo mini jack, Recommended applicable microphone : Plug-in power type (Sensitivity of microphone : -48 dB ±3 dB (0 dB=1 V / Pa, 1 kHz)) Input impedance : Approx. 2 kΩ (unbalanced) Supply voltage : 2.5 V ±0.5 V
	For line		Input level : Approx. -10 dBV
	Built-in microphone		Nondirectional electret condenser microphone
Audio Output ⁶		ø3.5 mm stereo mini jack (monaural output) Output impedance : Approx. 600 Ω (unbalanced) Output level : -20 dBV	
External I/O Terminals		ALARM IN1 (Alarm input 1/ Auto time adjustment input) (x1) ALARM IN2 (Alarm input 2/ ALARM OUT) (x1) ALARM IN3 (Alarm input 3/ AUX OUT) (x1)	
General	Safety		UL (UL60950-1), c-UL (CSA C22.2 No.60950-1), CE, IEC60950-1
	EMC		FCC (Part15 ClassA), ICES003 ClassA, EN55032 ClassB, EN55024
	Power Source and Power Consumption		DC power supply : DC 12 V 560 mA/Approx. 6.7 W PoE (IEEE802.3af compliant) Device : DC 48 V 150 mA/Approx. 7.2 W (Class 0 device)
	Ambient Operating Temperature		-10 °C to +50 °C (14 °F to 122 °F)
	Ambient Operating Humidity		10% to 90 % (no condensation)
	Dimensions		ø150 mm × 49.5 mm (H) [ø5-29/32 inches × 1-15/16 inches (H)]
Mass (approx.)		Approx. 420 g (0.93 lbs)	
Finish		Main body : ABS resin, Sail white	

*4 Transmission for 2 streams can be individually set.
*5 Only use AAC-LC (Advanced Audio Coding - Low Complexity) when recording audio on an SD memory card.
*6 The audio output can be switched to the monitor output. Refer to the Operating Instructions on the provided CD-ROM for descriptions of how to switch the output. (factory shipment : NTSC monitor)

Appearance



Trademarks and registered trademarks
 - iPad and iPhone are trademarks of Apple Inc., registered in the U.S. and other countries.
 - Android is a trademark of Google Inc.
 - ONVIF and the ONVIF logo are trademarks or registered trademarks of ONVIF Inc.
 - All other trademarks identified herein are the property of their respective owners.

Optional Accessories

Ceiling Mount Bracket WV-Q105A

Plug-in Software for i-VMD WV-SAE200

i-VMD is possible to detect objects in the specified area by advanced video analysis technology.

i-VMD : People Counting, Heat-map, MOR(Moving Object Remover), Intruder Detection, Loitering Detection, Cross line Detection, Object Detection, Scene change Detection

Notification sent to the monitoring screen

Important
 - Safety Precaution : Carefully read the Important Information, Installation Guide and operating instructions before using this product.
 - Panasonic cannot be responsible for the performance of the network and/or other manufacturers' products used on the network.
 • Masses and dimensions are approximate. • Specifications are subject to change without notice.

business.panasonic.ca
 1.877.495.0580

Panasonic